

# Proline Basin Taps



PRODUCT CODE

**VPLNBT1**

COLOUR/FINISHES

Chrome

FEATURES

Brass construction

HEADWORKS

Half Turn  
Standard

PRESSURE TYPE

All Pressures

MINIMUM PRESSURE

17kPa

MAXIMUM PRESSURE

500kPa (As per NZ Building Code AS/NZ 3500.1)

WELS RATING - MAINS  
PRESSURE

3 Star (8.5L/min)

WELS RATING - LOW  
PRESSURE

2 Star (11.5L/min)

CARTRIDGE/HEADWORKS

European Headworks

MAXIMUM TEMPERATURE

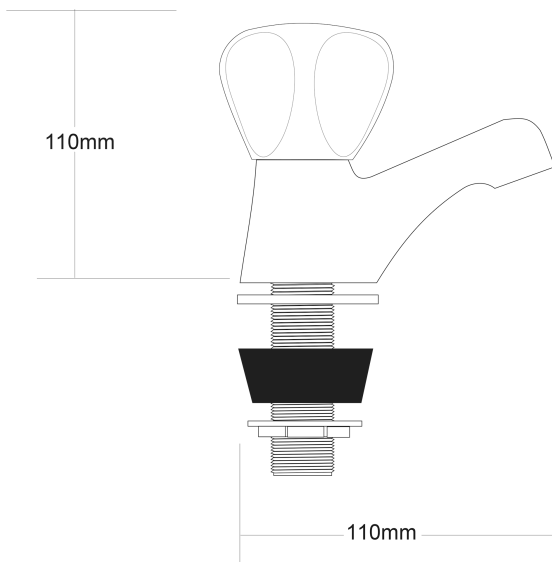
65°C

PLUMBING CONNECTION

15mm

CERTIFICATION

WaterMark Certified



Specifications and dimensions correct at time of publication however are subject to change without notice.

Please refer to physical product prior to installation.

Installation instructions for this product are available from the product page on [vodaplumbingware.co.nz](http://vodaplumbingware.co.nz)