

EcoMinimal Shower Mixer



PRODUCT CODE

VMIN30CH

COLOUR/FINISHES

Chrome
Matte Black

FEATURES

DR Brass Mixer Body

FACEPLATE DIAMETER

116mm

PRESSURE TYPE

Mains Pressure only

MINIMUM PRESSURE

150kPa

MAXIMUM PRESSURE

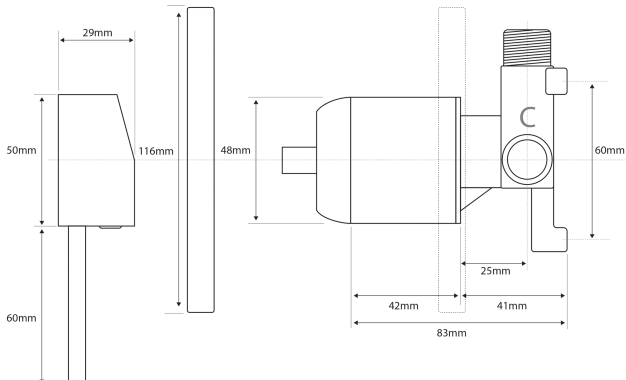
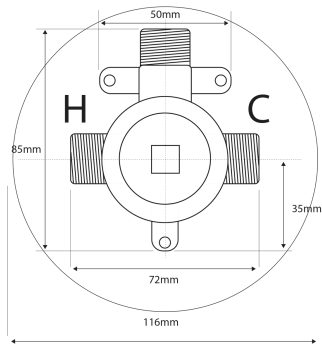
500kPa (As per NZ Building Code AS/NZ 3500.1)

MAXIMUM TEMPERATURE

65°C

PLUMBING CONNECTION

15mm



BUILDING CODE CLAUSES RELEVANT TO THIS PRODUCT:

Clause G12 Water Supplies, specifically G12.3.5, G12.3.6, and G12.3.7.

www.vodaplumbingware.co.nz/building-code-clauses/

This product is not subject to a warning or ban under section 26 of the Building Act 2004.

Specifications and dimensions correct at time of publication however are subject to change without notice.

Please refer to physical product prior to installation.

Installation instructions for this product are available from the product page on vodaplumbingware.co.nz