

Eclipse Shower Mixer



PRODUCT CODE

VECL30MB

COLOUR/FINISHES

Mirrored Black (PVD)
Chrome
Matte Black
Mirrored Black (PVD)

PRESSURE TYPE

All Pressures

MINIMUM PRESSURE

35kPa

MAXIMUM PRESSURE

500kPa (As per NZ Building Code AS/NZ 3500.1)

CERTIFICATION

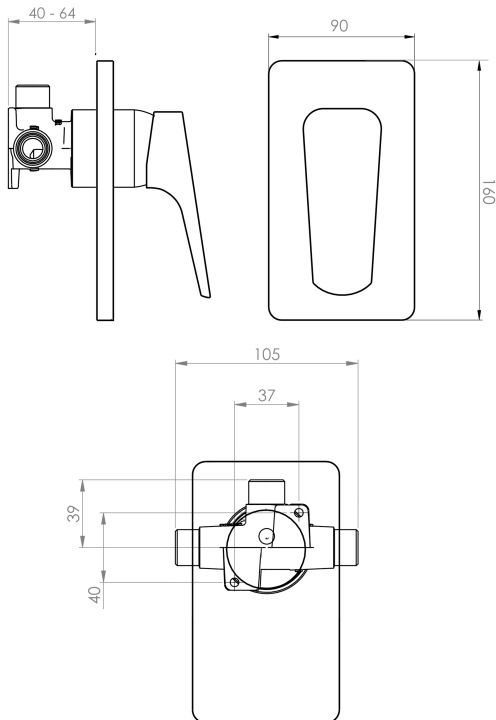
WaterMark Certified

MAXIMUM TEMPERATURE

65°C

PLUMBING CONNECTION

15mm



Specifications and dimensions correct at time of publication however are subject to change without notice.

Please refer to physical product prior to installation.

Installation instructions for this product are available from the product page on vodaplumbingware.co.nz