

EcoMix Sink Mixer



PRODUCT CODE

VECM010

COLOUR/FINISHES

Chrome

FEATURES

Large Bore Supply
Swivel spout

PRESSURE TYPE

All Pressures

MINIMUM PRESSURE

17kPa

MAXIMUM PRESSURE

500kPa (As per NZ Building Code AS/NZ 3500.1)

WELS RATING - MAINS
PRESSURE

4 Star (7L/min)

WELS RATING - LOW
PRESSURE

2 Star (11.5L/min)

CARTRIDGE/HEADWORKS

HiFlo Cartridge

MAXIMUM TEMPERATURE

65°C

PLUMBING CONNECTION

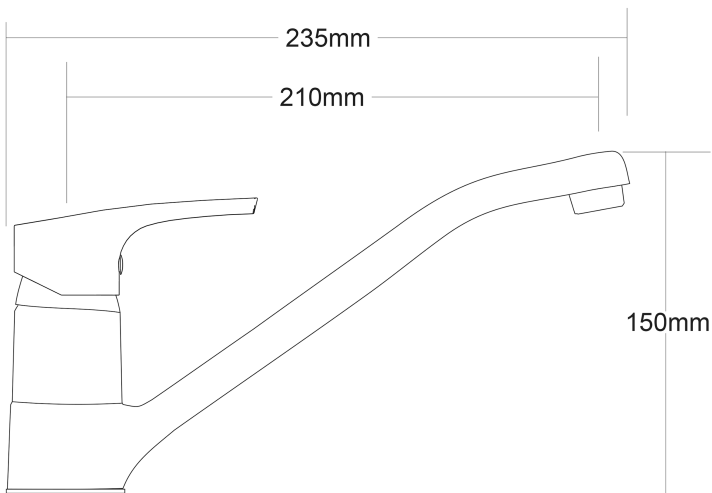
15mm

SPOUT REACH

210mm

CERTIFICATION

WaterMark Certified



Specifications and dimensions correct at time of publication however are subject to change without notice.

Please refer to physical product prior to installation.

Installation instructions for this product are available from the product page on vodaplumbingware.co.nz