

209 Series Shower Diverter

Product Code: T209SD

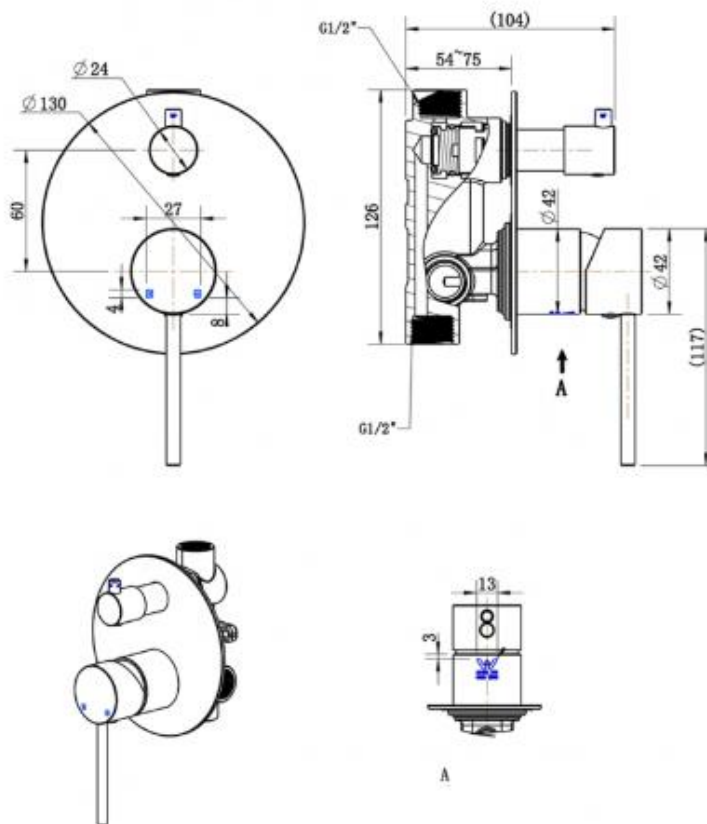
Features



- Mains pressure only
- Available Colours: Chrome
- Quality cast brass body
- Low lead brass (potable water products)
- Reliable Kerox ceramic cartridges
- High quality electroplate finish
- 10 workmanship year warranty
- Watermark certification/ WELS rating as applicable

Technical Details

Diameter: 130mm



Note: all specifications and dimensions are correct at time of publication however are subject to change without notice. Please refer to physical product prior to installation.