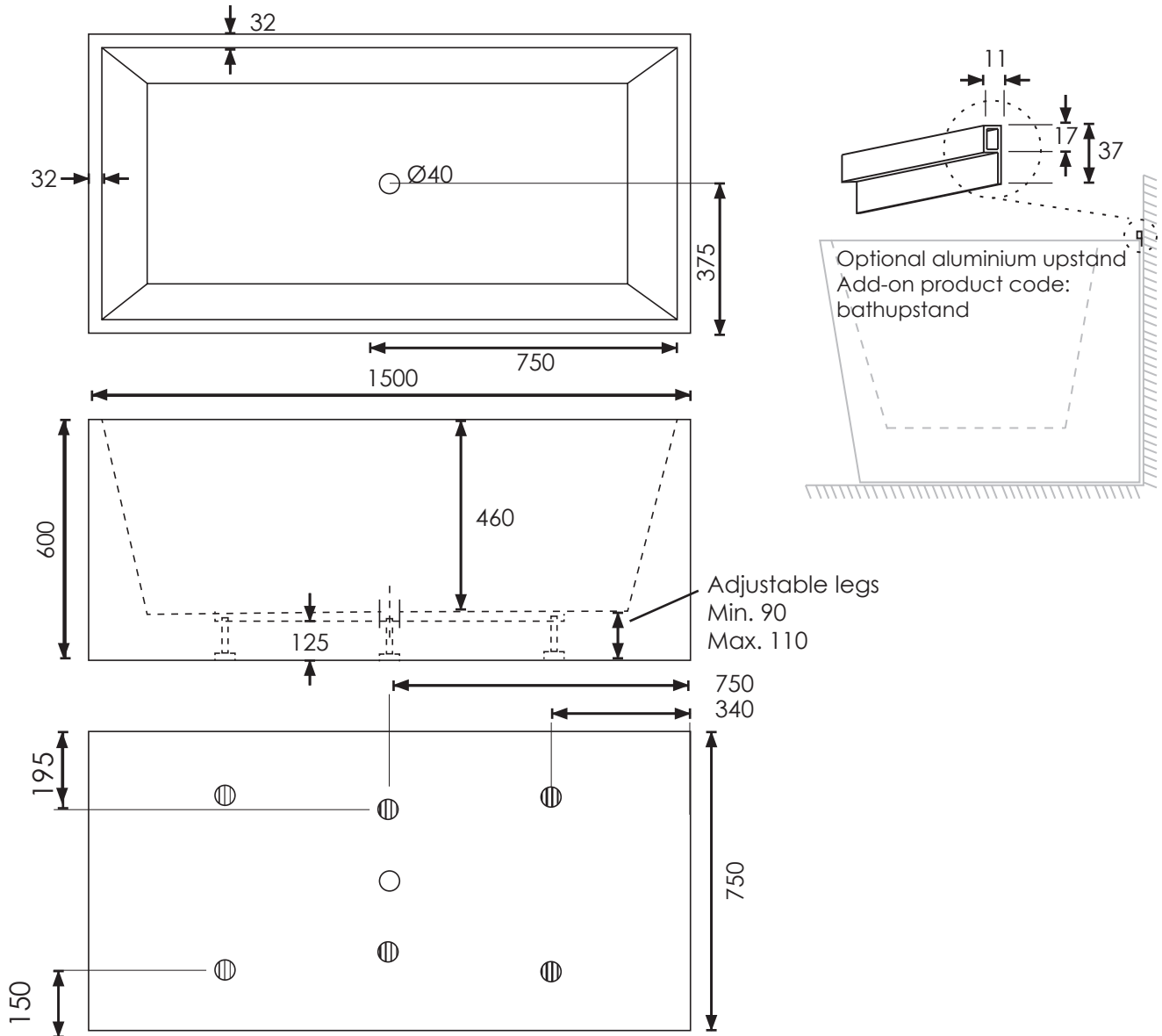
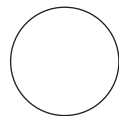


SPECIFICATION SHEET

Park Ave 1500 Freestanding Bath



Product: Park Ave 1500 Freestanding Bath
 Size: L1500 X W750 X D600
 Capacity: 311 Litres
 Weight: 50KG
 Requires: 40mm waste (Not included)
 Colour / Code: PARKAVE15



Gloss White

*Disclaimer: Measurements are nominal.

@ 2016 Newtech. All rights reserved.