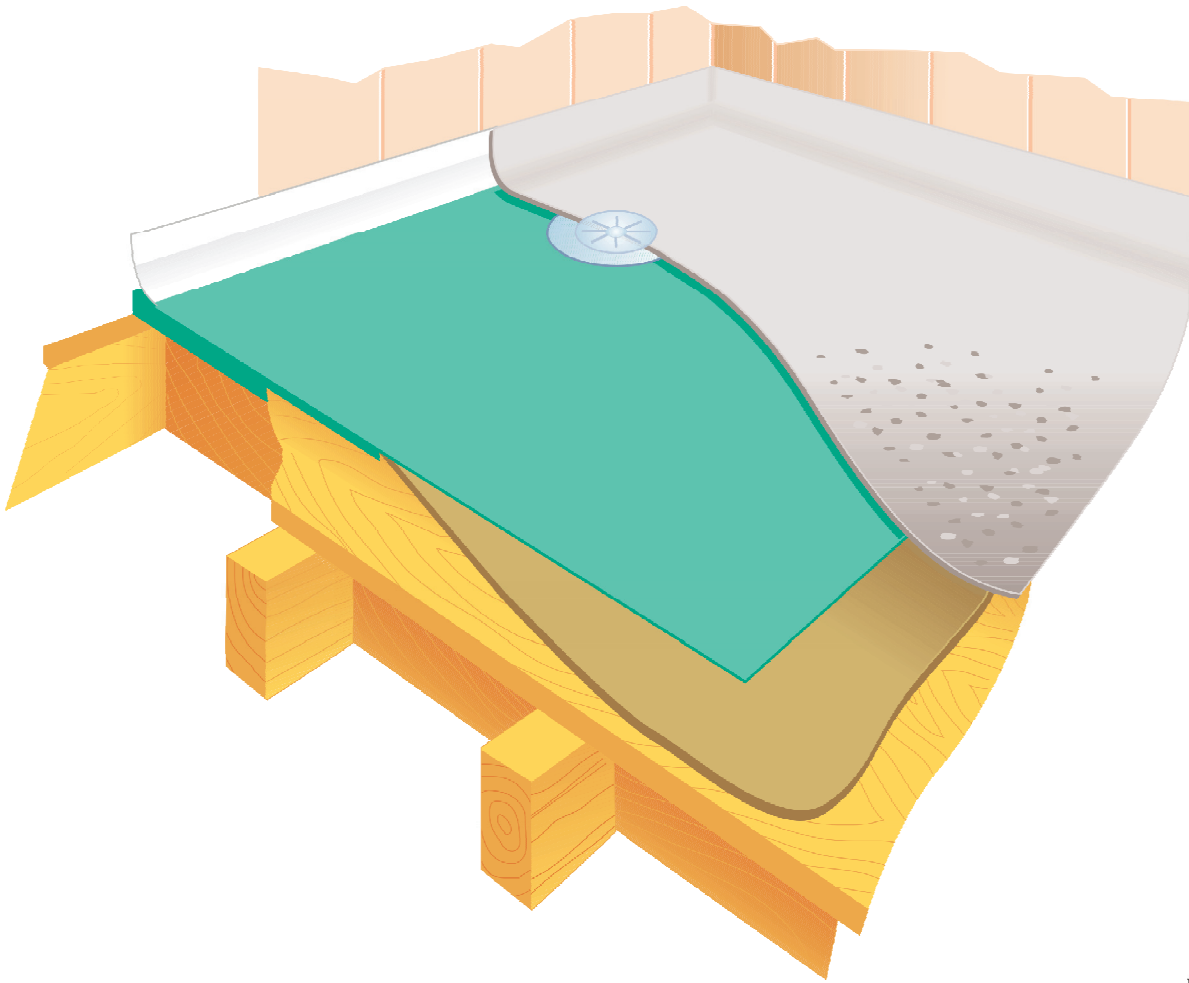


Level-Dec



INVESTOR IN PEOPLE



ISO 9001:2000

Impey UK Limited

Conquest Business Park
Cad Road

Ilton

Somerset

TA19 9EA

Telephone 01460 256080

Fax 01460 259800

info@impey-uk.com

www.impey-uk.com

Timber Floor Installation

page 3-4

Solid Floor Installation

page 5-6

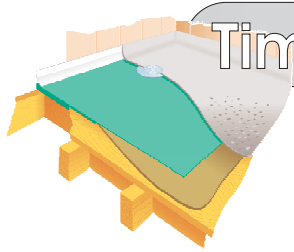
Floating Floor Installation

page 7-8

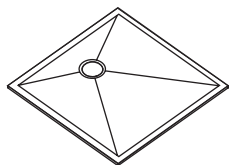
Tiling the Level-Dec (timber floor)

page 9-11

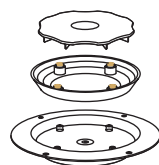
Timber Floors



PARTS



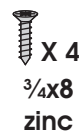
Level-Dec



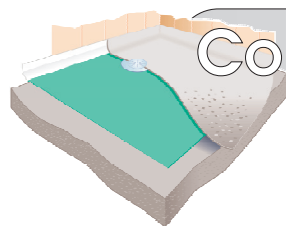
Trap-a-dapta



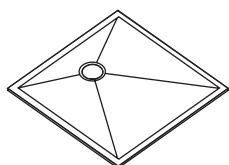
Shower waste trap



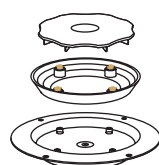
Concrete Floors



PARTS



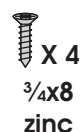
Level-Dec



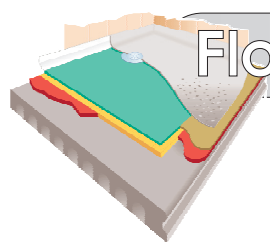
Trap-a-dapta



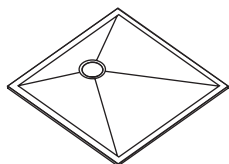
Shower waste trap



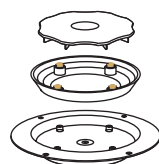
Floating Floors



PARTS



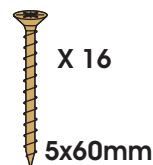
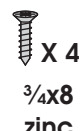
Level-Dec



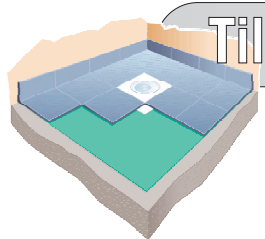
Trap-a-dapta



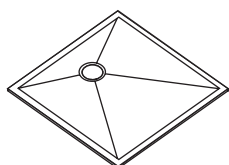
Shower waste trap



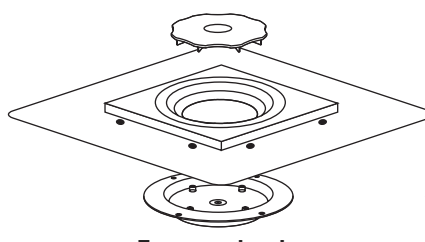
Tiling the Level-Dec



PARTS



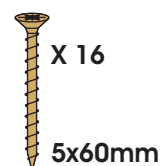
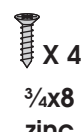
Level-Dec



Trap-a-dapta

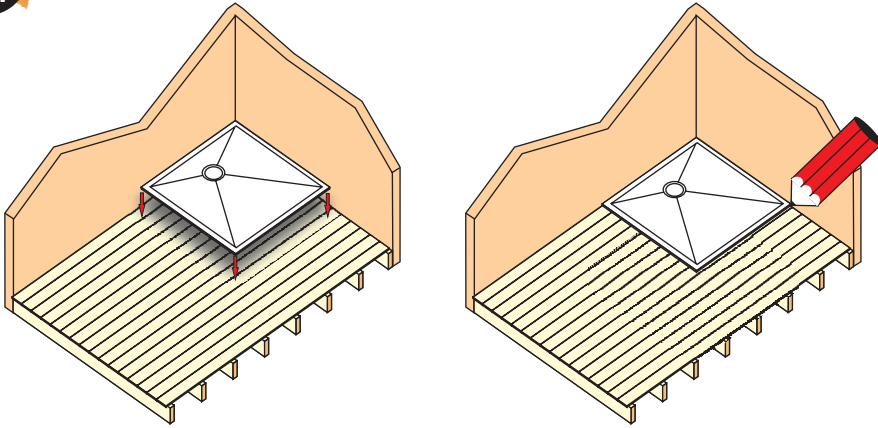


Shower waste trap



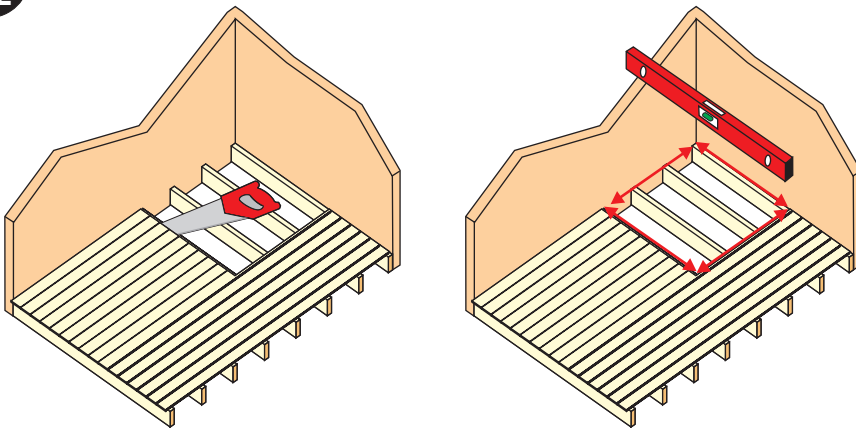
Stainless Steel

1



Place Level-Dec in position and mark around.

2

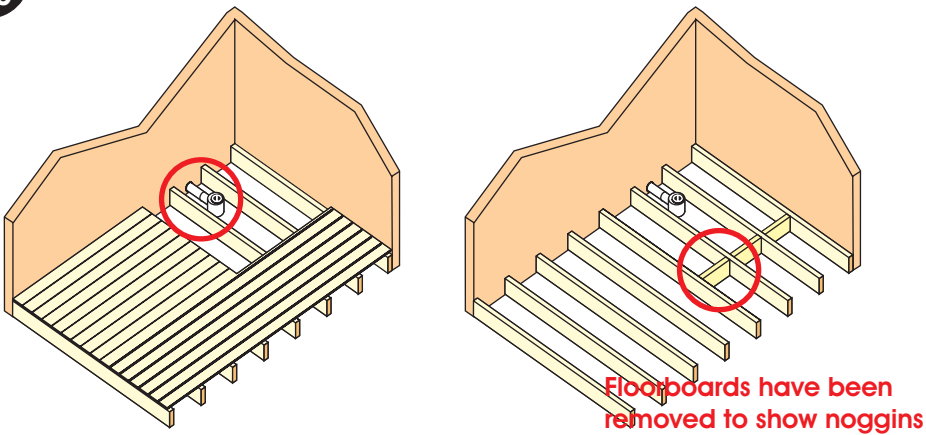


Carefully cut out line and remove the floorboards.

Note: Check that the Level-Dec fits the aperture.

Remove the Dec and check that the joists are level on all 4 sides.

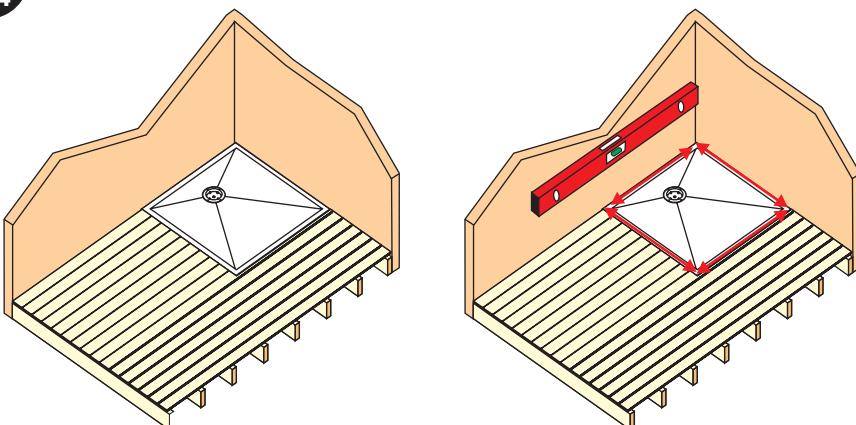
3



Fit waste pipe and trap, making sure it will align with the centre of the gully aperture in the level-dec.

Put noggins in to support the edges of the Dec.

4

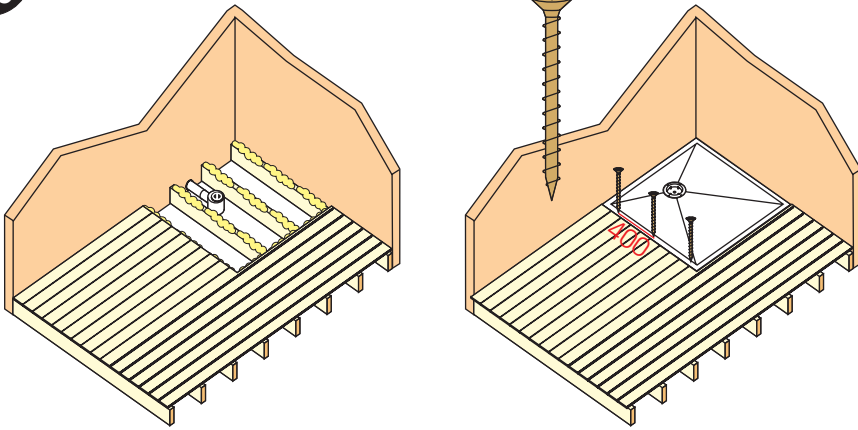


Again place the Level-Dec into position.

Check that the trap is in line with the hole in the trap-a-dapta. [See step 7.](#)

Check the Dec is Level on all sides and Pack up accordingly.

5

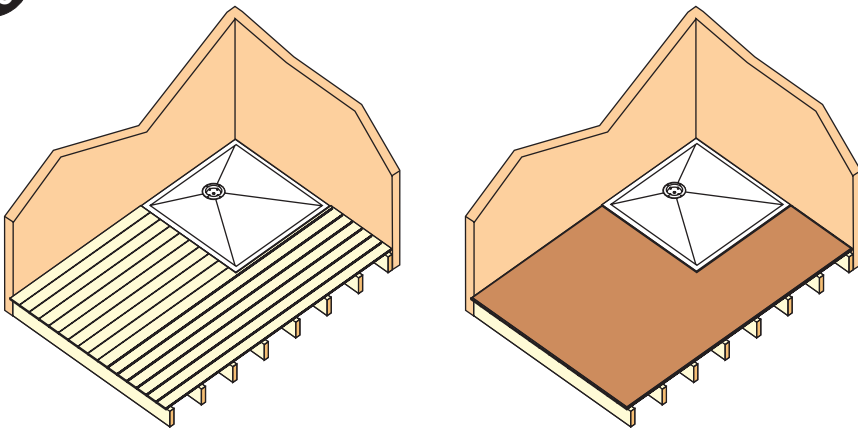


It may be necessary to apply expanding foam or silicone to the joists to take out any inconsistency in level.

Put Dec into position drill and counter sink holes for the 5x60mm screws. Drilling at a maximum of 400mm centres around the perimeter of the Dec.

DO NOT over counter sink the screw holes.
DO NOT over tighten screws.

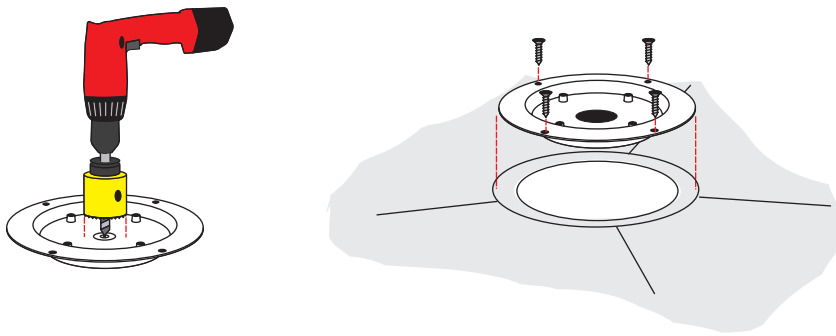
6



It may be necessary to put 4mm plywood over the rest of the floor to make it level with the Dec.

Note: The join between the Level-Dec & floor must be flush, perfectly flat and level. The plywood will also act as underlay for the vinyl, covering any gaps in the floor boards. Floor must be level.

7

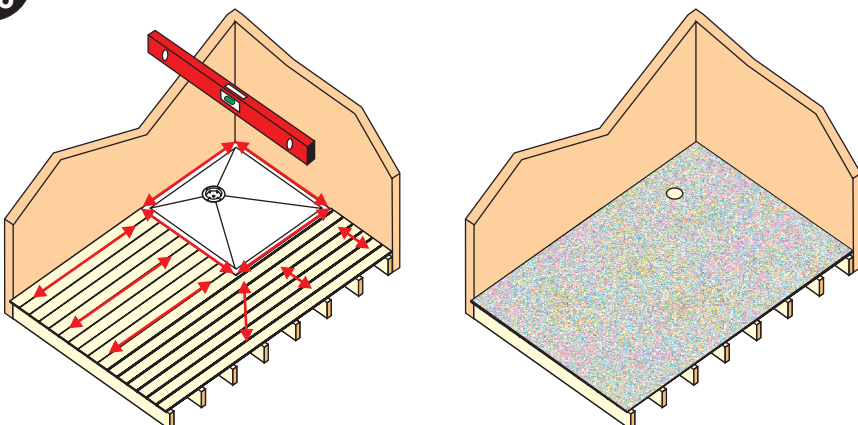


Drill out the centre of the trap-a-dapta (base) with a 50mm holesaw.

Fix the trap-a-dapta to the hole in the Level-Dec using the 4 3/4x8 self tappers and connect it to the shower waste trap

For more detailed information on how the waste is fitted, see separate trap-a-dapta fitting instructions.

8

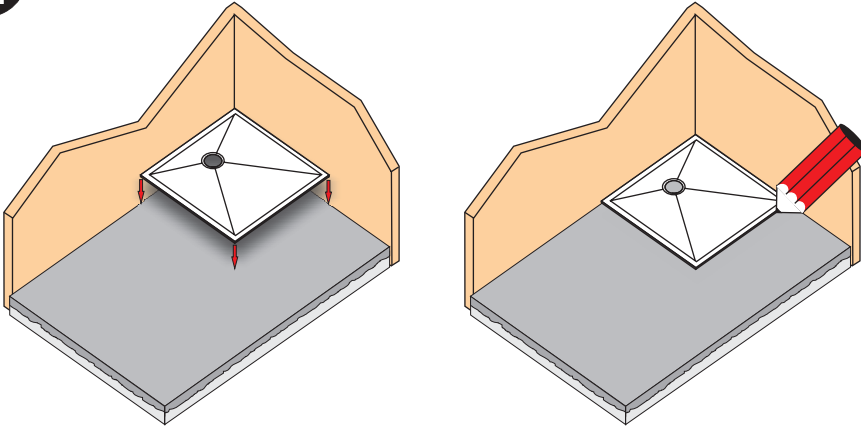


Finally check that the Dec is level on all 4 sides.

IMPORTANT: The rest of the floor must also be level.

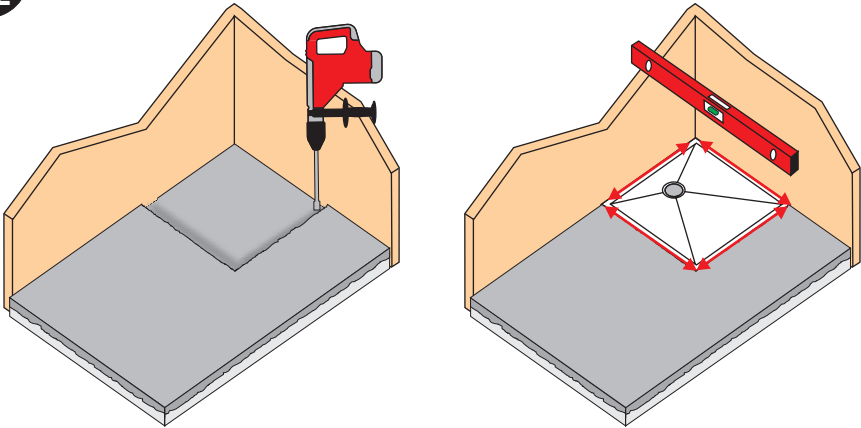
The non-slip vinyl flooring or the tiled flooring can now be fitted in an approved manner.

1



Place Level-Dec in position and mark around.

2

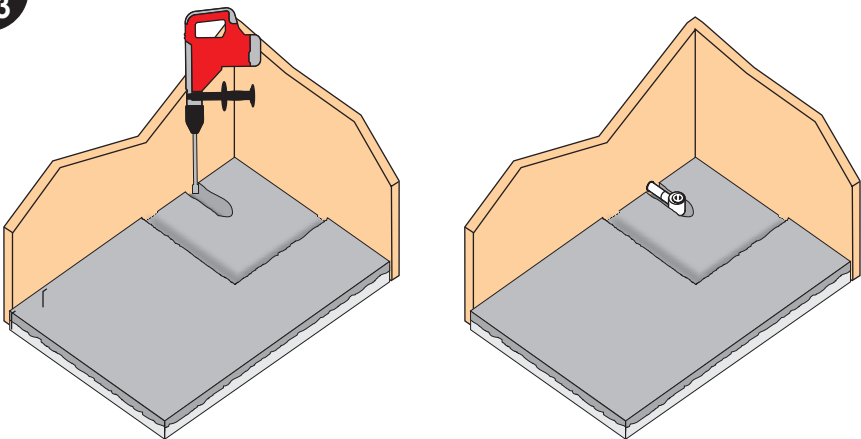


Excavate all concrete within the marked area to a minimum depth of 25mm.

Note: Check that the Dec fits the aperture.

Check that the Dec is level on all 4 sides and that it is flush with the rest of the floor.

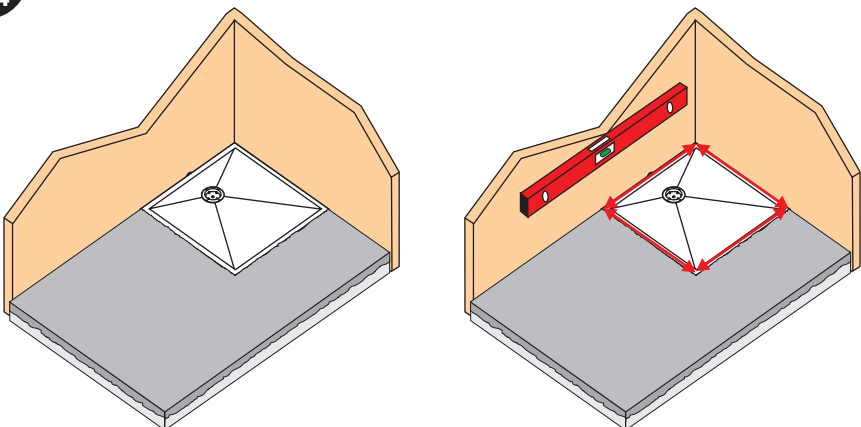
3



Remove enough concrete for the installation of a waste pipe and gully.

Fit waste pipe and trap making sure it will align with the centre of the gully aperture in the level-dec.

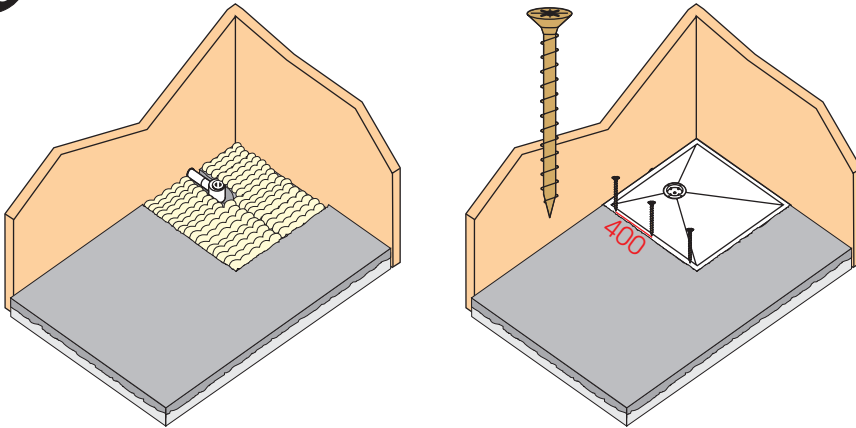
4



Place Dec into position and check accurate positioning of the waste.

Check that the trap is in line with the hole in the trap-a-dapta. [See step 6.](#)

5

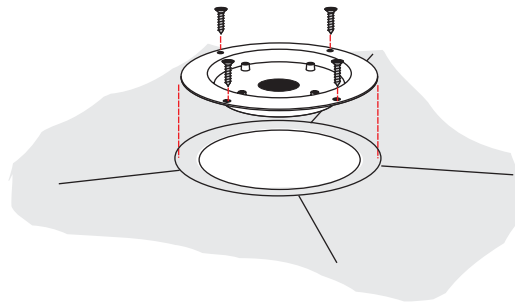
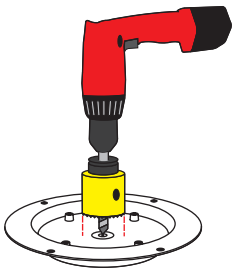


Bed the tray on a weak sand cement mix or expanding foam.

Check that the Dec is level on all 4 sides. Pack up accordingly. Leave it to set over night. Drill and fix using the 5x60mm screws.

DO NOT over counter sink the screw holes.
DO NOT over tighten screws.

6

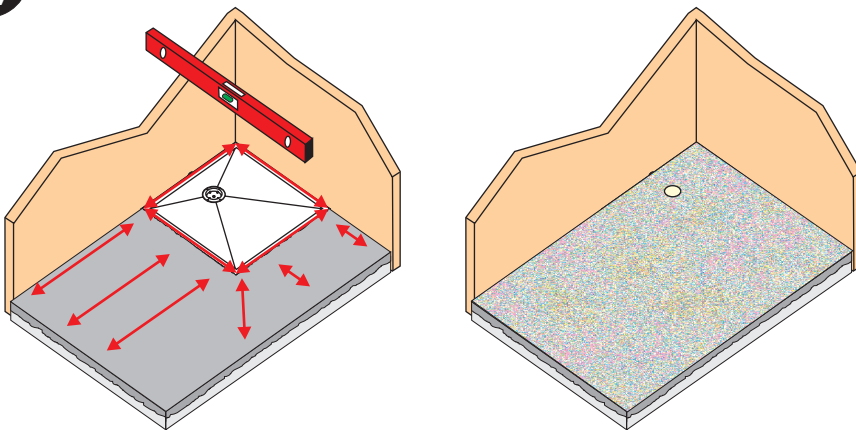


Drill out the centre of the trap-a-dapta (base) with a 50mm holesaw.

Fix the trap-a-dapta to the hole in the Level-Dec using the 4 $\frac{3}{4}$ x8 self tappers and connect it to the shower waste trap.

For more detailed information on how the waste is fitted, see separate trap-a-dapta fitting instructions.

7



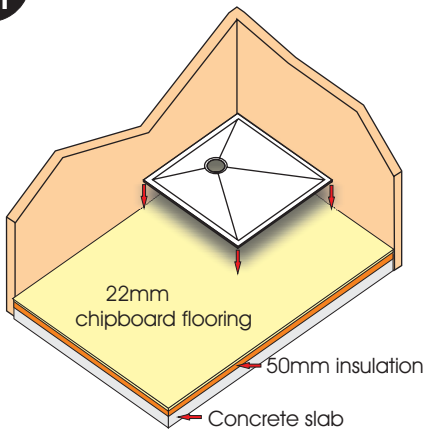
Finally check that the Dec is level on all 4 sides.

IMPORTANT: The rest of the floor must also be level.

The non-slip vinyl flooring or the tiled flooring can now be fitted in an approved manner.

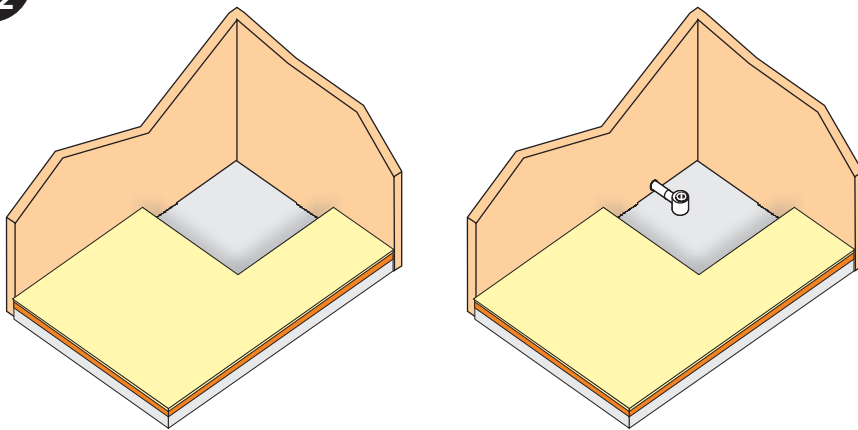
Floating Floors

1



Place Level-Dec in position and mark around.

2

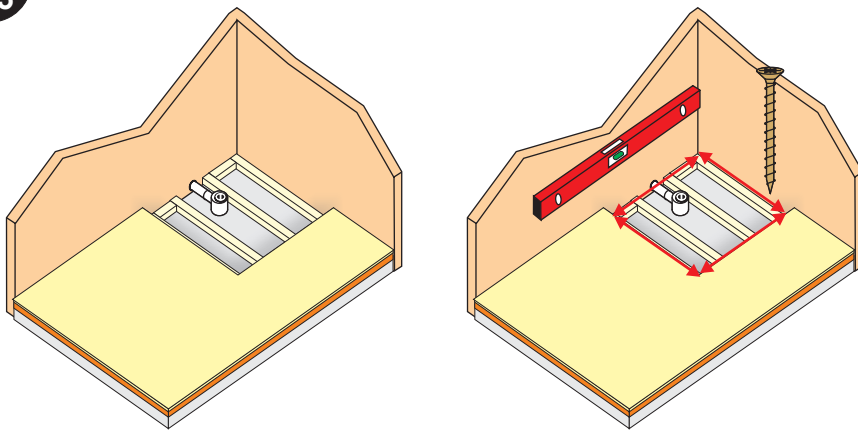


Carefully cut out and remove chipboard flooring, vapour barrier and insulation.

Fit waste pipe and trap making sure it will align with the centre of the gully aperture in the level-dec.

Note: It may be necessary to excavate some of the concrete sub floor to accommodate the trap and waste pipe.

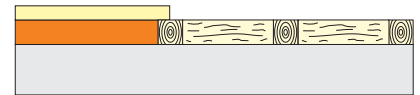
3



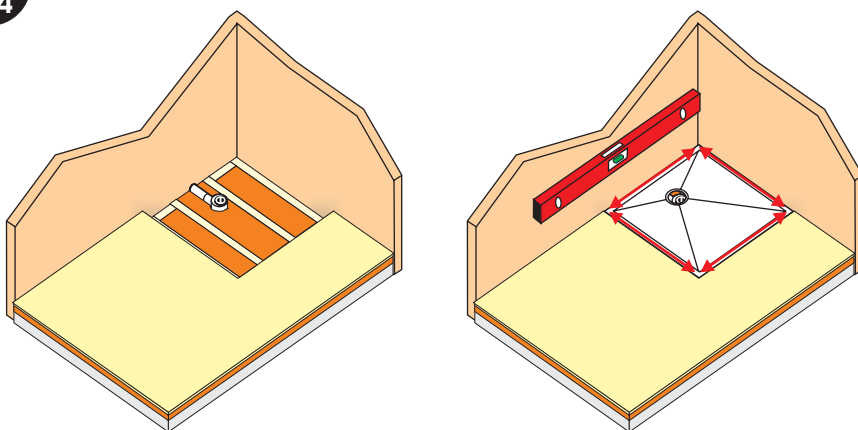
Fit timber support to prevent the edge of the chipboard flooring from moving and to provide a firm foundation for the level-dec.

Note: Ensure the dec is supported on all 4 sides

Ensure support is fitted level on all sides and secure the timber to the concrete.

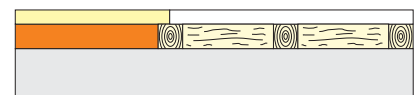


4

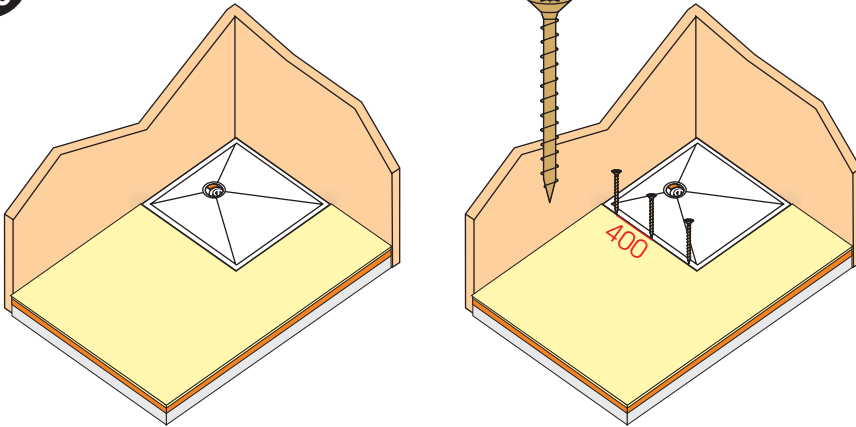


Replace insulation between the timbers, and reinstate the vapour barrier as necessary.

Place the Level-Dec in position and check that it is flush with the floor and is level on all sides



5



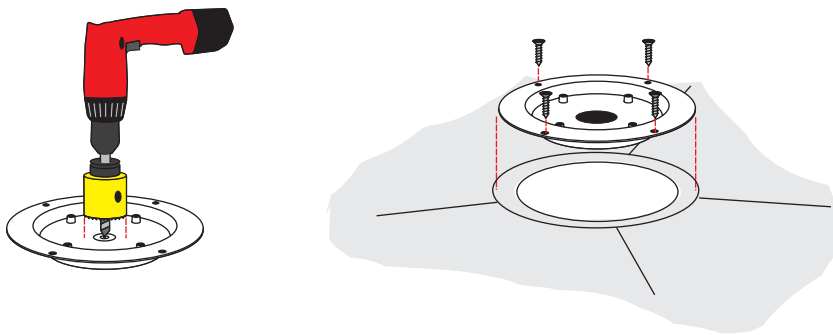
Put Dec into position drill and counter sink holes for the 4x60mm screws. Drilling at a maximum of 400mm centres around the perimeter of the Dec.

DO NOT over counter sink the screw holes.

DO NOT over tighten screws.

Fix down the edges of the floor to prevent it from moving

6

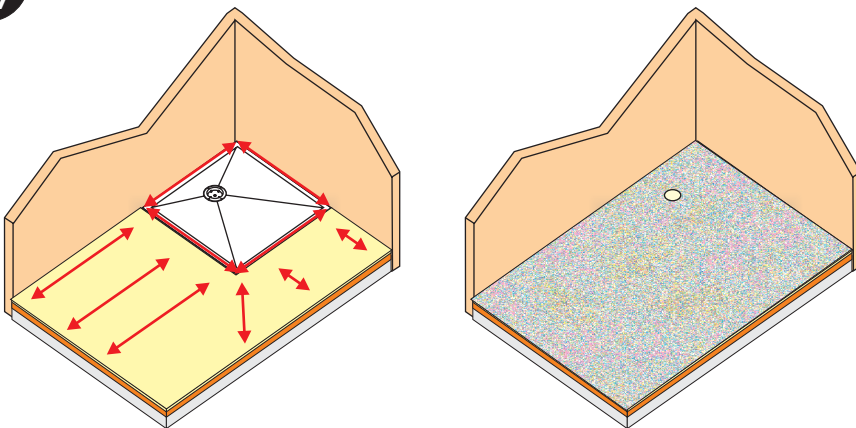


Drill out the centre of the trap-a-dapta (base) with a 50mm holesaw.

Fix the trap-a-dapta to the hole in the Level-Dec using the 4 3/4x8 self tappers and connect it to the shower waste trap.

For more detailed information on how the waste is fitted, see separate trap-a-dapta fitting instructions.

7



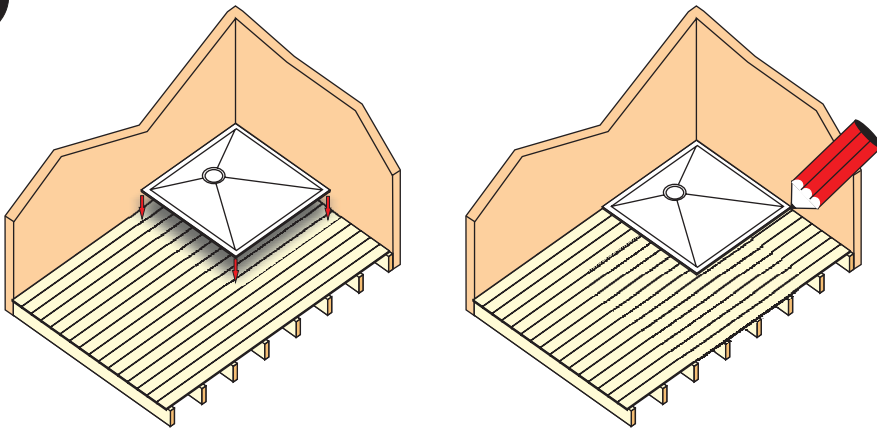
Finally check that the Dec is level on all 4 sides.

IMPORTANT: The rest of the floor must also be level.

The non-slip vinyl flooring or the tiled flooring can now be fitted in an approved manner.

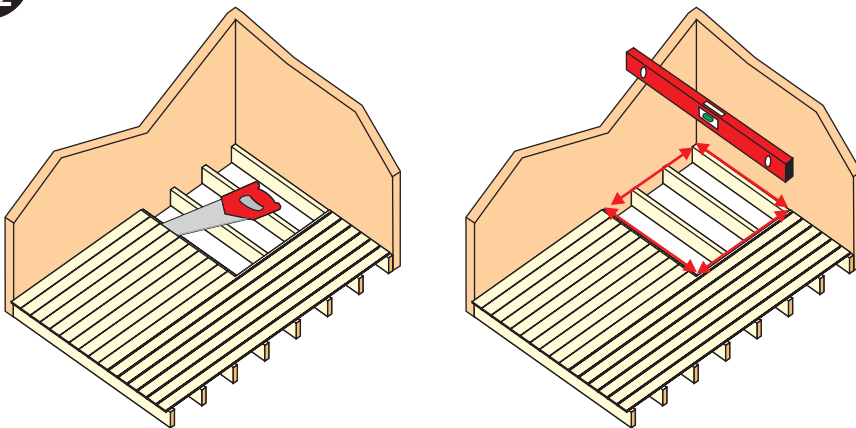
Tiling the level-dec (suspended timber floors)

1



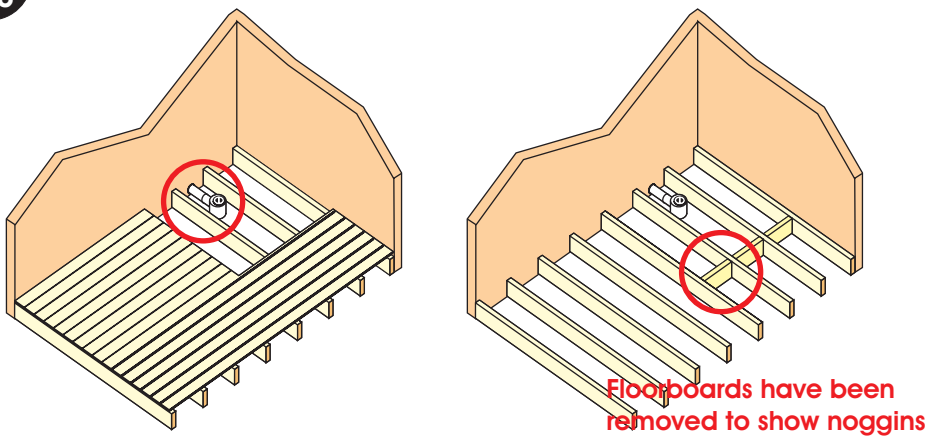
Place Level-Dec in position and mark around.

2



Carefully cut out line and remove the floorboards.
Note: Check that the Level-Dec fits the aperture.
Remove the Dec and check that the joists are level on all 4 sides.

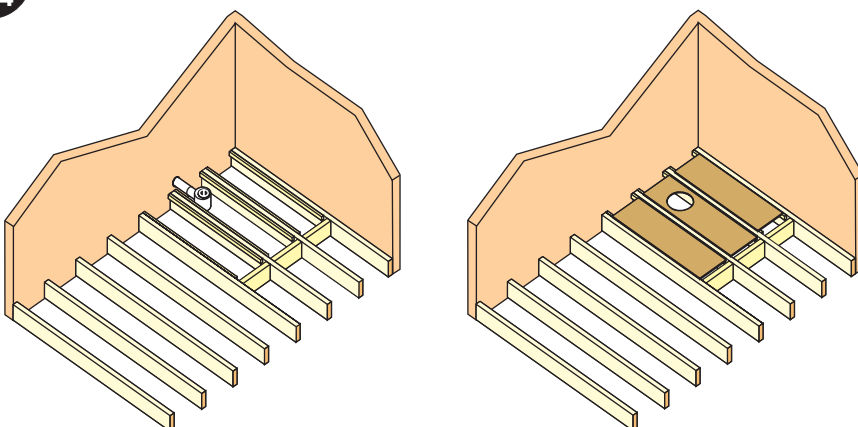
3



Fit waste pipe and trap, making sure it aligns with the centre of the gully aperture in the level-dec.

Put noggins in to support the edges of the Dec.

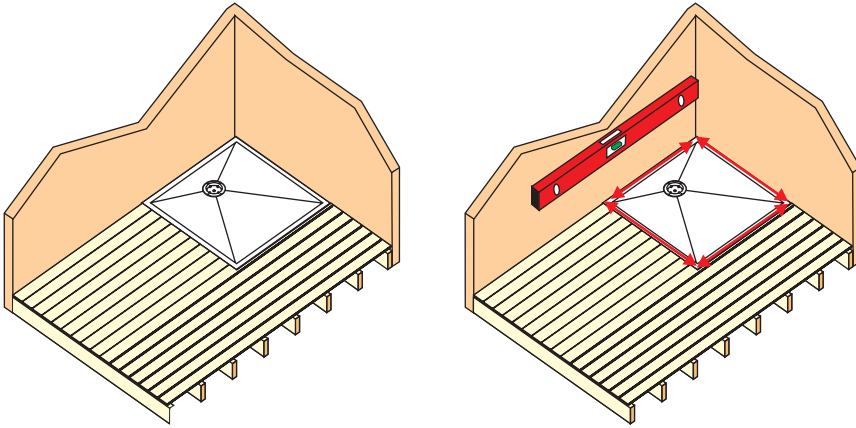
4



Screw battens to the joists leaving enough room between the top of the batten and the top of the joist for the 18mm plywood.

Note: Make sure that the plywood platform is perfectly flat.

5

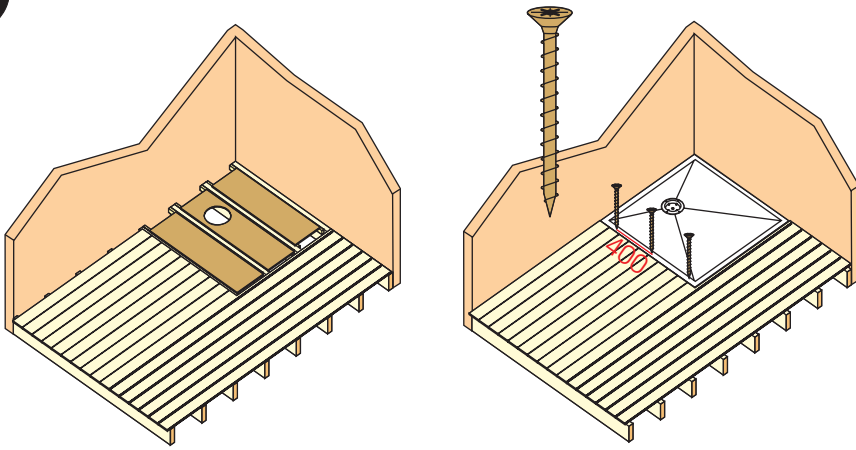


Again place the Level-Dec into position.

Check that the trap is in line with the hole in the trap-a-dapta. [See step 8](#)

Check the Dec is Level on all sides and Pack up accordingly.

6

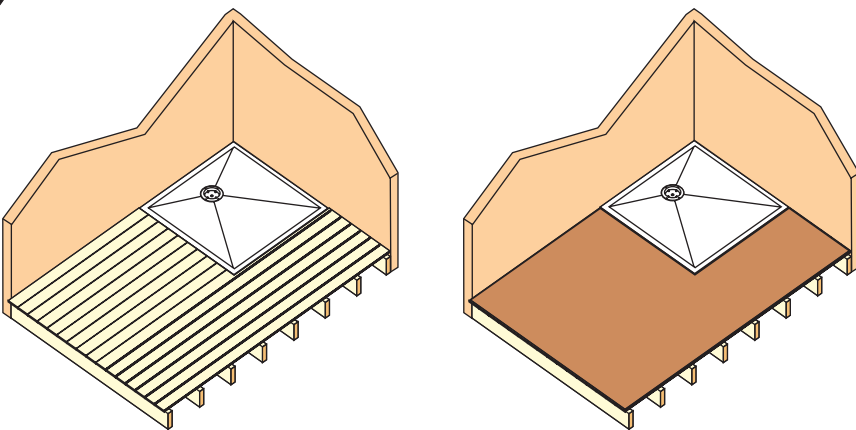


It may be necessary to apply expanding foam or silicone to the joists to take out any inconsistency in level.

Put Dec into position, drill and counter sink holes for the 5 x 60mm screws. Drilling at a maximum of 400mm centres around the perimeter of the Dec.

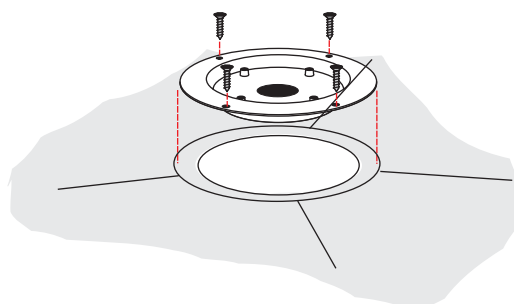
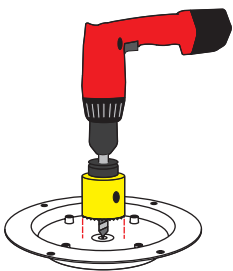
DO NOT over counter sink the screw holes.
DO NOT over tighten screws.

7



It may be necessary to put plywood over the rest of the floor to make it level with the Dec.

8

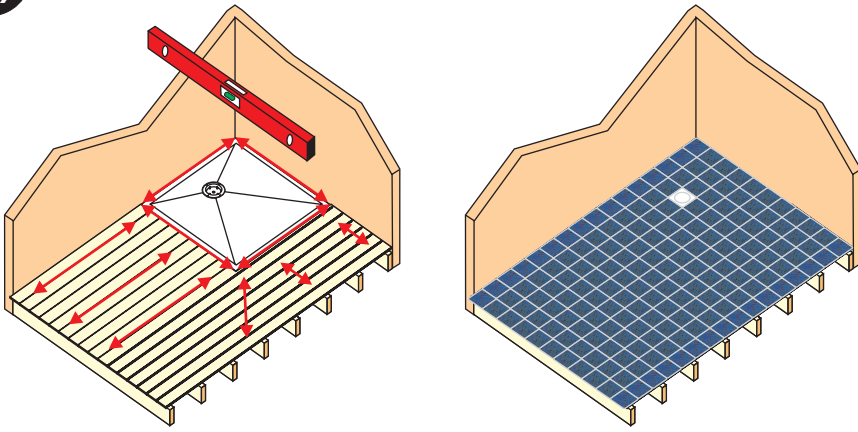


Drill out the centre of the trap-a-dapta (base) with a 50mm holesaw.

Fix the trap-a-dapta to the hole in the Level-Dec using the 4 $\frac{3}{4}$ X 8 self tappers and connect it to the shower waste trap.

For more detailed information on how the waste is fitted see separate trap-a-dapta fitting instructions.

9



Finally check that the Dec is level on all 4 sides.

IMPORTANT: The rest of the floor must also be level.

Secure the trap-a-dapta tile in place using the 1/2x8 stainless steel screws.

The area is now ready to have the tiles fitted in an approved manner.

For information on fitting the tiled adaptor, see separate instructions.