

Easi Shower & Grab Rail

Product Code: GRST800

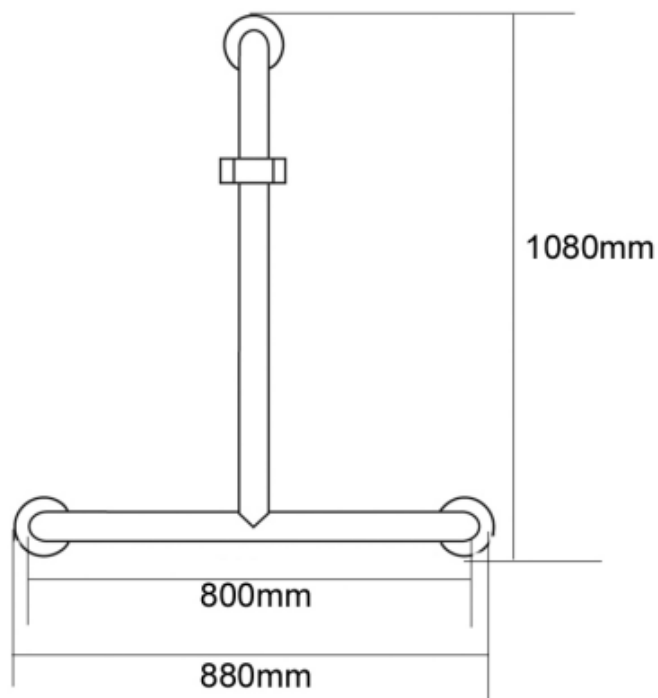


Features

- NZ Care Standard compliant

Technical Details

Height 1080mm, Width 880mm, Depth 85mm, Diameter 32mm



Note: all specifications and dimensions are correct at time of publication however are subject to change without notice. Please refer to physical product prior to installation.