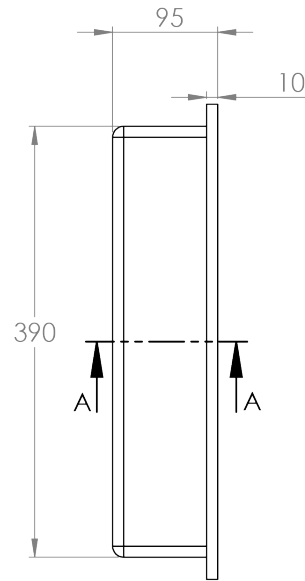
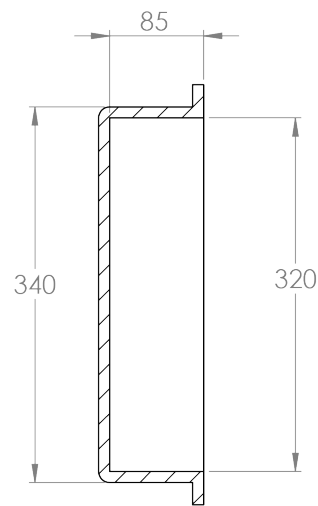


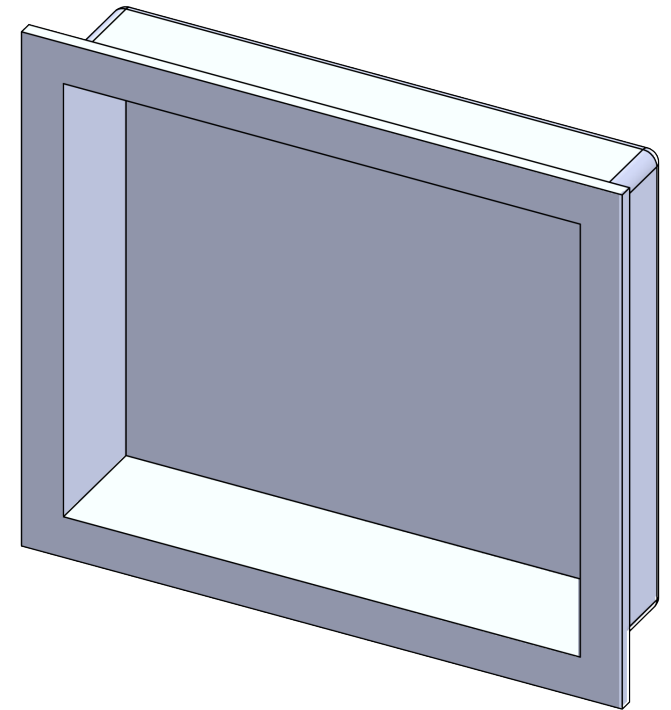
Front Elevation



Plan View



SECTION A-A



Trimetric

crest  
showers

**WN370**  
**WALL NICHE 370 X 320**