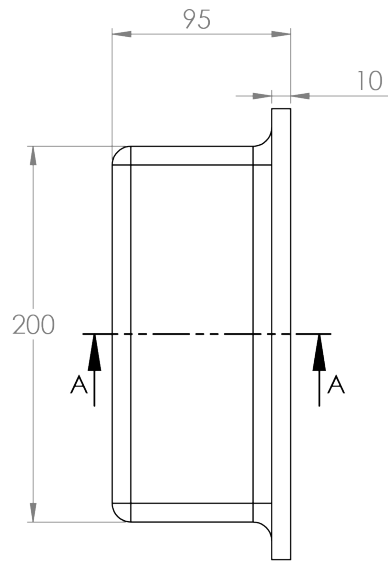
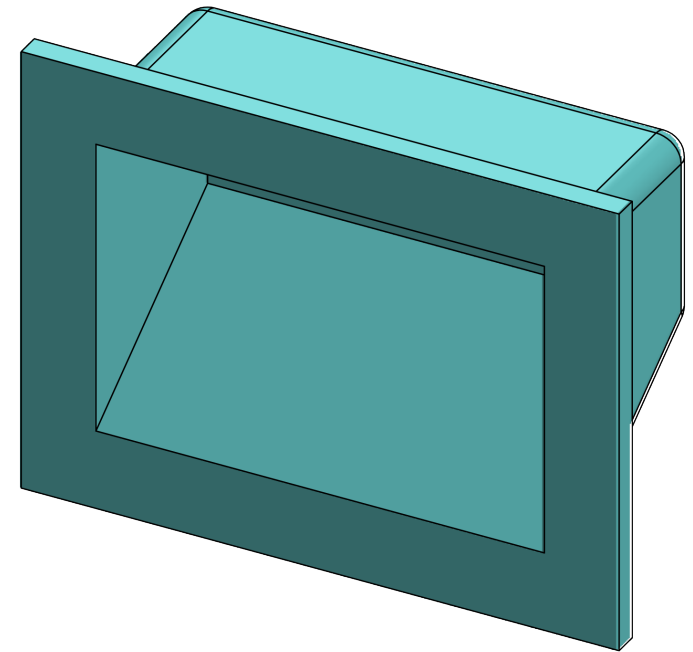


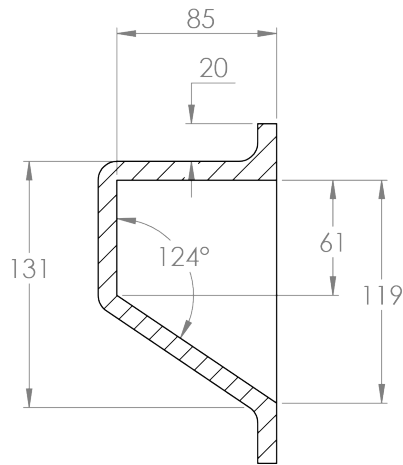
Front Elevation



Plan View



Trimetric



SECTION A-A

crest
showers

WN180
FOOTREST 180 x 120