

# Storm Shower Mixer with Diverter



PRODUCT CODE

**VST35BB**

COLOUR/FINISHES

**Brushed Brass (PVD)**

Chrome  
Brushed Gunmetal (PVD)  
Brushed Copper (PVD)  
Brushed Nickel (PVD)  
Brushed Brass (PVD)

FACEPLATE DIAMETER

80mm

PRESSURE TYPE

Mains Pressure only

MAXIMUM PRESSURE

500kPa (As per NZ Building Code AS/NZ 3500.1)

MINIMUM PRESSURE

150kPa

MAXIMUM TEMPERATURE

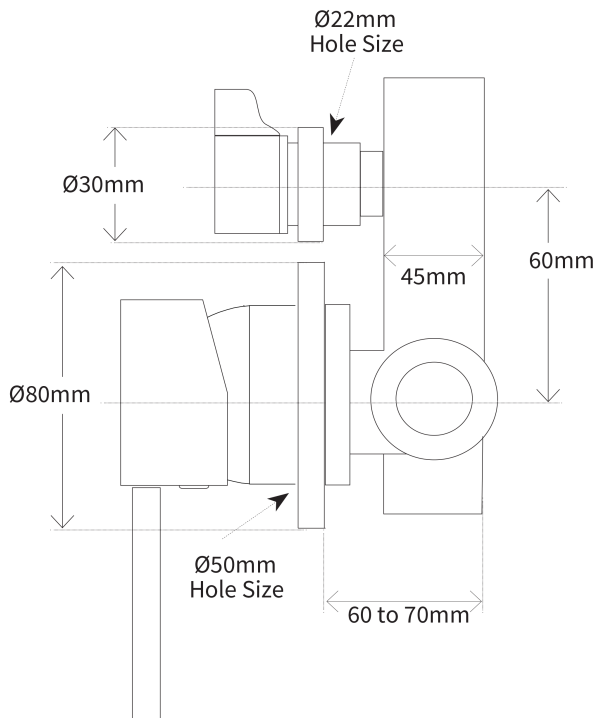
65°C

PLUMBING CONNECTION

15mm

CERTIFICATION

WaterMark Certified



Specifications and dimensions correct at time of publication however are subject to change without notice.

Please refer to physical product prior to installation.

Installation instructions for this product are available from the product page on [vodaplumbingware.co.nz](http://vodaplumbingware.co.nz)