

Proline 3 Hole Basin Set



PRODUCT CODE

VPLN450

COLOUR/FINISHES

Chrome

FEATURES

Brass construction

PRESSURE TYPE

All Pressures

MINIMUM PRESSURE

17kPa

MAXIMUM PRESSURE

500kPa (As per NZ Building Code AS/NZ 3500.1)

WELS RATING - MAINS PRESSURE

4 Star (6.5L/min)

WELS RATING - LOW PRESSURE

5 Star (6L/min)

CARTRIDGE/HEADWORKS

European Headworks

MAXIMUM TEMPERATURE

65°C

PLUMBING CONNECTION

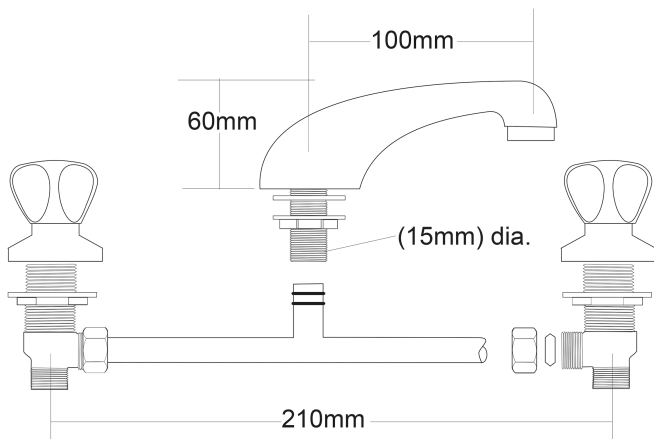
15mm

SPOUT REACH

100mm

CERTIFICATION

WaterMark Certified



Specifications and dimensions correct at time of publication however are subject to change without notice.

Please refer to physical product prior to installation.

Installation instructions for this product are available from the product page on vodaplumbingware.co.nz