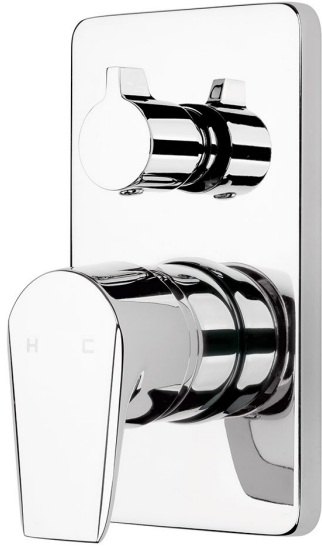


Olympia Shower Mixer with Diverter



PRODUCT CODE

VOP35CH

COLOUR/FINISHES

Chrome

Brushed Gunmetal (PVD)

Brushed Copper (PVD)

Brushed Nickel (PVD)

PRESSURE TYPE

Mains Pressure only

MINIMUM PRESSURE

150kPa

MAXIMUM PRESSURE

500kPa (As per NZ Building Code AS/NZ 3500.1)

MAXIMUM TEMPERATURE

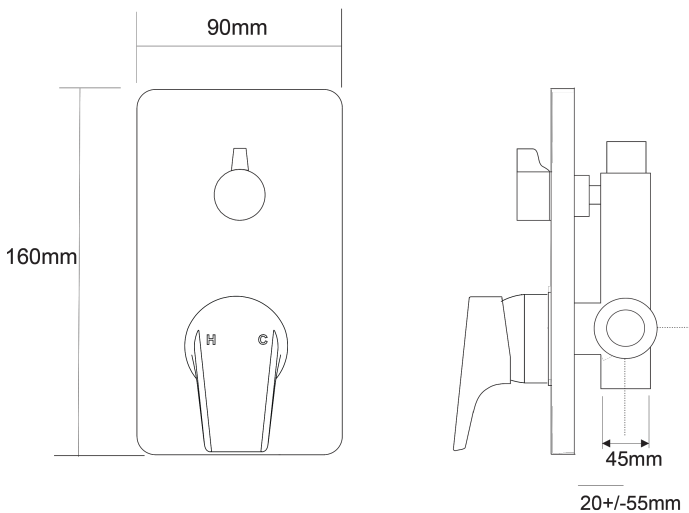
65°C

PLUMBING CONNECTION

15mm

CERTIFICATION

WaterMark Certified



Specifications and dimensions correct at time of publication however are subject to change without notice.

Please refer to physical product prior to installation.

Installation instructions for this product are available from the product page on vodaplumbingware.co.nz