

# Eclipse Shower Mixer with VORTEX Technology



PRODUCT CODE

**VECL40MB**

COLOUR/FINISHES

**Mirrored Black (PVD)**  
 Chrome  
 Brushed Gunmetal (PVD)  
 Matte Black  
 Mirrored Black (PVD)

FEATURES

Brass construction  
 VORTEX technology

PRESSURE TYPE

All Pressures  
 Unequal/Low Pressure

MINIMUM PRESSURE

17kPa

MAXIMUM PRESSURE

500kPa (As per NZ Building Code AS/NZ 3500.1)

CARTRIDGE/HEADWORKS

European Ceramic Cartridge

MAXIMUM TEMPERATURE

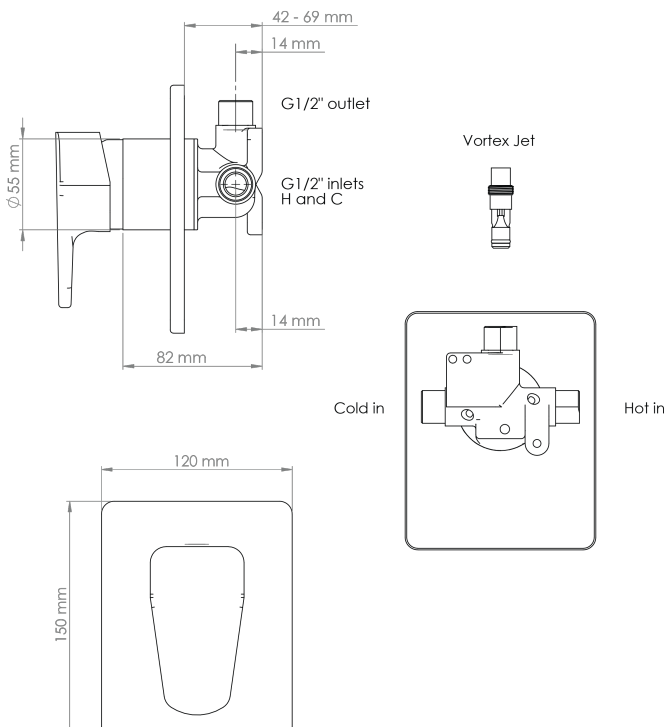
65°C

PLUMBING CONNECTION

15mm

CERTIFICATION

WaterMark Certified



Specifications and dimensions correct at time of publication however are subject to change without notice.

Please refer to physical product prior to installation.

Installation instructions for this product are available from the product page on [vodaplumbingware.co.nz](http://vodaplumbingware.co.nz)