

Eclipse Swivel Basin Mixer



PRODUCT CODE

VECL23BK

COLOUR/FINISHES

Matte Black

Chrome
Brushed Gunmetal (PVD)
Mirrored Black (PVD)

FEATURES

Swivel spout

PRESSURE TYPE

All Pressures

MINIMUM PRESSURE

35kPa

MAXIMUM PRESSURE

500kPa (As per NZ Building Code AS/NZ 3500.1)

WELS RATING - MAINS PRESSURE

4 Star (7.5L/min)

WELS RATING - LOW PRESSURE

4 Star (7L/min)

MAXIMUM TEMPERATURE

65°C

PLUMBING CONNECTION

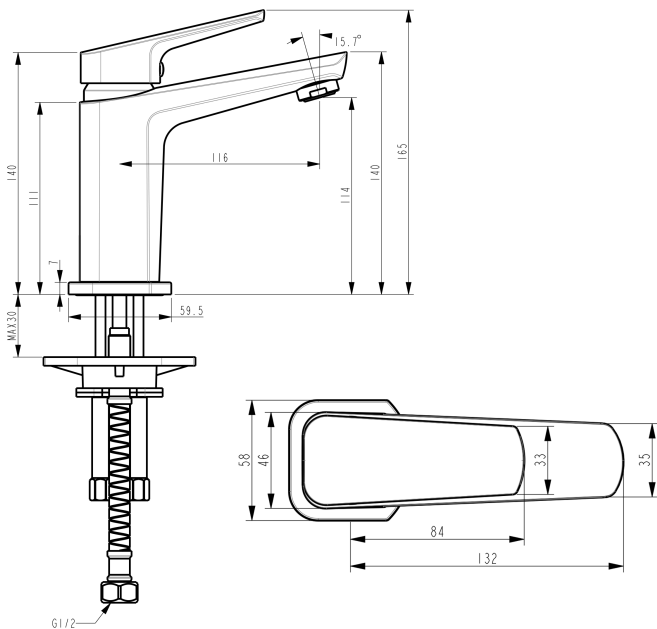
15mm

SPOUT REACH

115mm

CERTIFICATION

WaterMark Certified



Specifications and dimensions correct at time of publication however are subject to change without notice.

Please refer to physical product prior to installation.

Installation instructions for this product are available from the product page on vodaplumbingware.co.nz