

# Eclipse Basin Mixer



PRODUCT CODE

**VECL20MB**

COLOUR/FINISHES

**Mirrored Black (PVD)**  
Chrome  
Brushed Gunmetal (PVD)  
Matte Black  
Mirrored Black (PVD)

PRESSURE TYPE

All Pressures

MINIMUM PRESSURE

35kPa

MAXIMUM PRESSURE

500kPa (As per NZ Building Code AS/NZ 3500.1)

WELS RATING - MAINS PRESSURE

4 Star (6.5L/min)

WELS RATING - LOW PRESSURE

3 Star (8.5L/min)

CERTIFICATION

WaterMark Certified

MAXIMUM TEMPERATURE

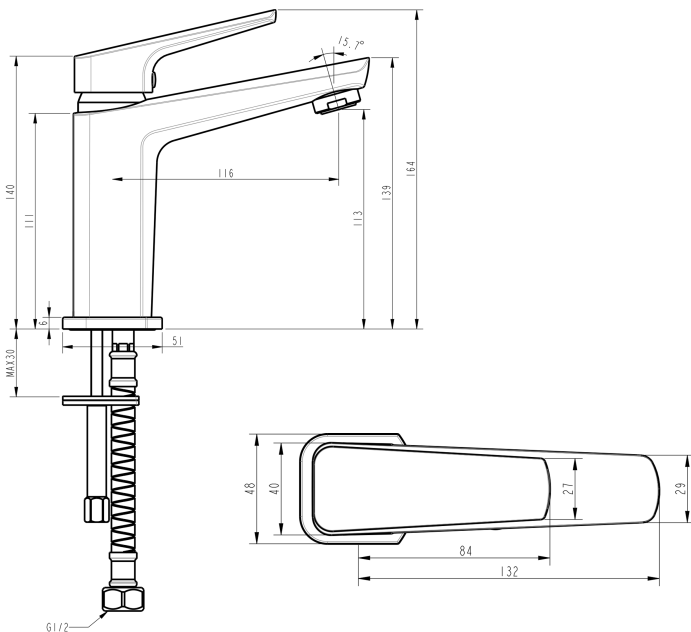
65°C

PLUMBING CONNECTION

15mm

SPOUT REACH

115mm



Specifications and dimensions correct at time of publication however are subject to change without notice.

Please refer to physical product prior to installation.

Installation instructions for this product are available from the product page on [vodaplumbingware.co.nz](http://vodaplumbingware.co.nz)