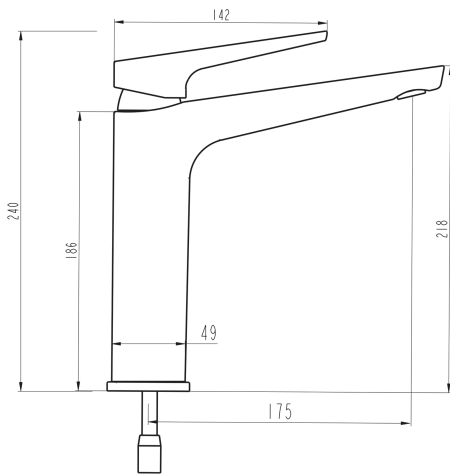
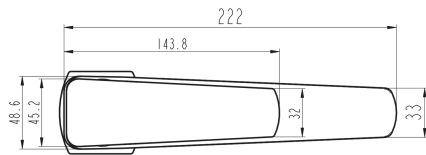


Eclipse Sink Mixer



PRODUCT CODE

VECL10MB

COLOUR/FINISHES

Mirrored Black (PVD)
Chrome
Brushed Gunmetal (PVD)
Matte Black
Mirrored Black (PVD)

FEATURES

Brass construction
Swivel spout

PRESSURE TYPE

All Pressures

MINIMUM PRESSURE

35kPa

MAXIMUM PRESSURE

500kPa (As per NZ Building Code AS/NZ 3500.1)

WELS RATING - MAINS PRESSURE

4 Star (7L/min)

WELS RATING - LOW PRESSURE

2 Star (10L/min)

CERTIFICATION

WaterMark Certified

MAXIMUM TEMPERATURE

65°C

PLUMBING CONNECTION

15mm

SPOUT REACH

175mm

Specifications and dimensions correct at time of publication however are subject to change without notice.

Please refer to physical product prior to installation.

Installation instructions for this product are available from the product page on vodaplumbingware.co.nz