

Eclipse Shower Mixer with VORTEX Technology



PRODUCT CODE

VECL062

COLOUR/FINISHES

Matte Black

Chrome
Brushed Gunmetal (PVD)
Mirrored Black (PVD)

FEATURES

Brass construction
VORTEX technology

PRESSURE TYPE

All Pressures
Unequal/Low Pressure

MINIMUM PRESSURE

17kPa

MAXIMUM PRESSURE

500kPa (As per NZ Building Code AS/NZ 3500.1)

CARTRIDGE/HEADWORKS

European Ceramic Cartridge

MAXIMUM TEMPERATURE

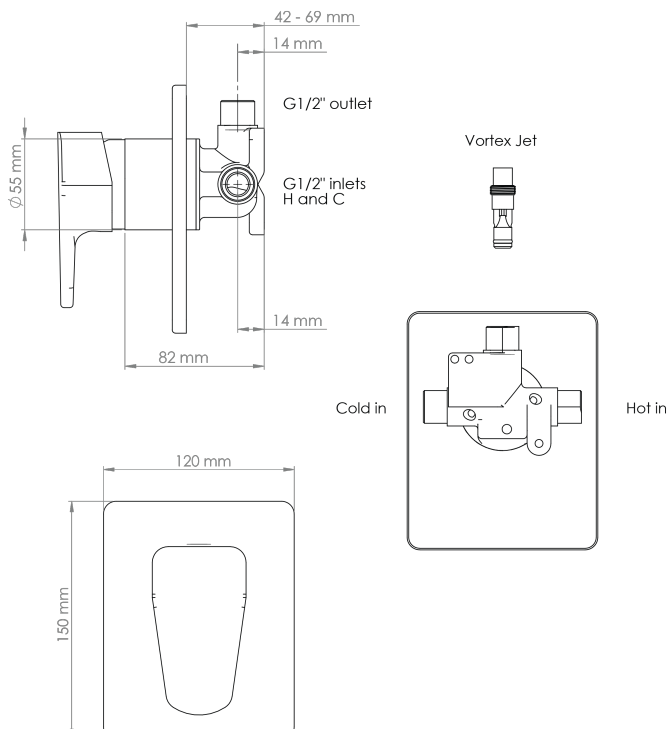
65°C

PLUMBING CONNECTION

15mm

CERTIFICATION

WaterMark Certified



Specifications and dimensions correct at time of publication however are subject to change without notice.

Please refer to physical product prior to installation.

Installation instructions for this product are available from the product page on vodaplumbingware.co.nz