

Eclipse Basin Mixer



PRODUCT CODE

VECL022

COLOUR/FINISHES

Matte Black

Chrome
Brushed Gunmetal (PVD)
Mirrored Black (PVD)

PRESSURE TYPE

All Pressures

MINIMUM PRESSURE

35kPa

MAXIMUM PRESSURE

500kPa (As per NZ Building Code AS/NZ 3500.1)

WELS RATING - MAINS PRESSURE

4 Star (6.5L/min)

WELS RATING - LOW PRESSURE

3 Star (8.5L/min)

CERTIFICATION

WaterMark Certified

MAXIMUM TEMPERATURE

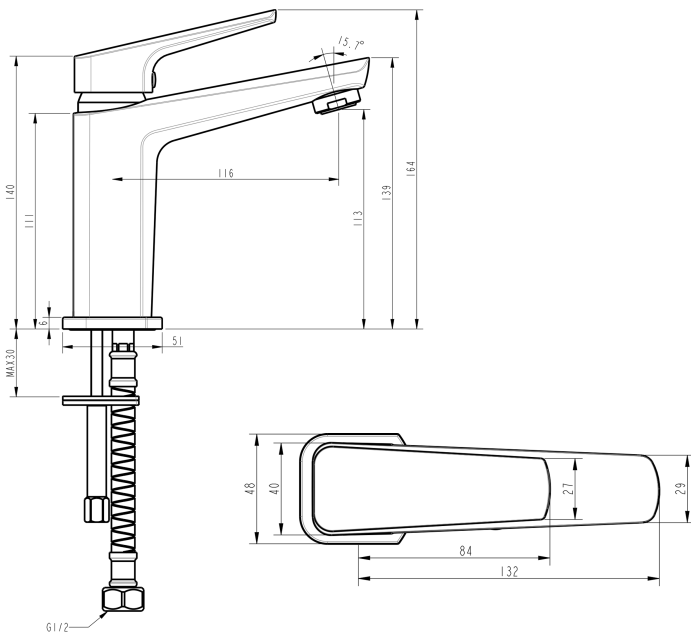
65°C

PLUMBING CONNECTION

15mm

SPOUT REACH

115mm



BUILDING CODE CLAUSES RELEVANT TO THIS PRODUCT:

Clause G12 Water Supplies, specifically G12.3.5, G12.3.6, and G12.3.7.

www.vodaplumbingware.co.nz/building-code-clauses/

This product is not subject to a warning or ban under section 26 of the Building Act 2004.

Specifications and dimensions correct at time of publication however are subject to change without notice.

Please refer to physical product prior to installation.

Installation instructions for this product are available from the product page on vodaplumbingware.co.nz