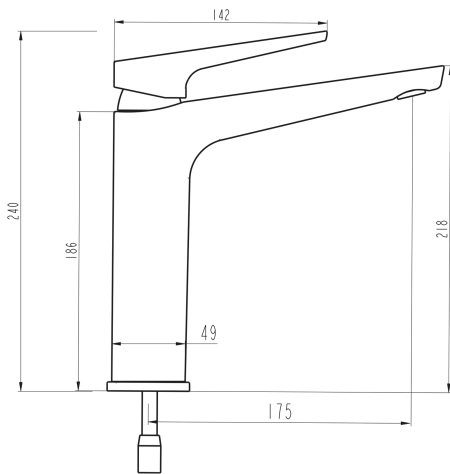
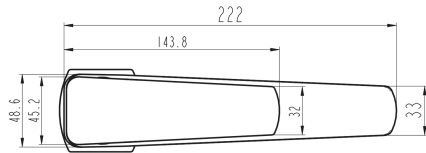


# Eclipse Sink Mixer



PRODUCT CODE

**VECL012**

COLOUR/FINISHES

**Matte Black**

Chrome

Brushed Gunmetal (PVD)

Mirrored Black (PVD)

FEATURES

Brass construction

Swivel spout

PRESSURE TYPE

All Pressures

MINIMUM PRESSURE

35kPa

MAXIMUM PRESSURE

500kPa (As per NZ Building Code AS/NZ 3500.1)

WELS RATING - MAINS  
PRESSURE

4 Star (7L/min)

WELS RATING - LOW  
PRESSURE

2 Star (10L/min)

CERTIFICATION

WaterMark Certified

MAXIMUM TEMPERATURE

65°C

PLUMBING CONNECTION

15mm

SPOUT REACH

175mm

Specifications and dimensions correct at time of publication however are subject to change without notice.

Please refer to physical product prior to installation.

Installation instructions for this product are available from the product page on [vodaplumbingware.co.nz](http://vodaplumbingware.co.nz)