

Storm High Rise Basin Mixer



PRODUCT CODE

VST22SS

COLOUR/FINISHES

Brushed Stainless

Chrome
Brushed Gunmetal (PVD)
Brushed Copper (PVD)
Brushed Brass (PVD)

PRESSURE TYPE

All Pressures

MINIMUM PRESSURE

35kPa

MAXIMUM PRESSURE

500kPa (As per NZ Building Code AS/NZ 3500.1)

WELS RATING - MAINS PRESSURE

5 Star (5L/min)

WELS RATING - LOW PRESSURE

4 Star (6.0L/min)

MAXIMUM TEMPERATURE

65°C

PLUMBING CONNECTION

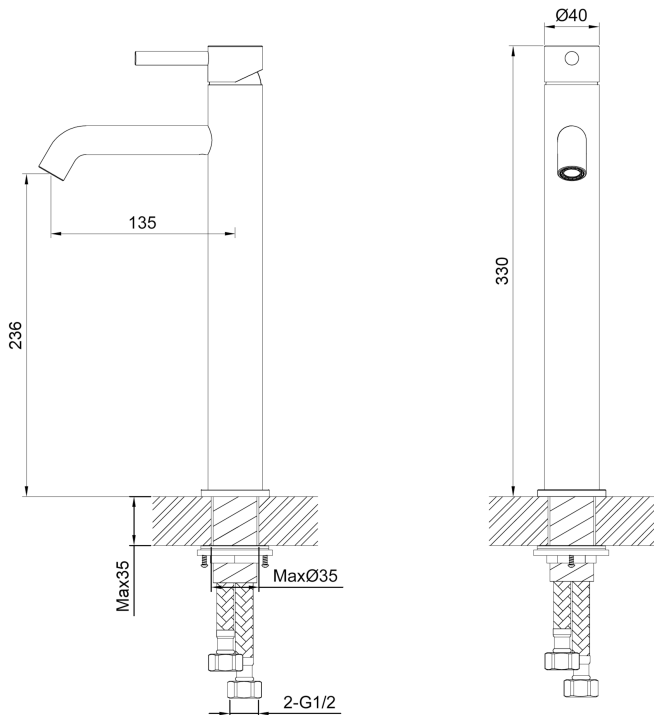
15mm

SPOUT REACH

135mm

SPOUT HEIGHT

236mm



Specifications and dimensions correct at time of publication however are subject to change without notice.

Please refer to physical product prior to installation.

Installation instructions for this product are available from the product page on vodaplumbingware.co.nz