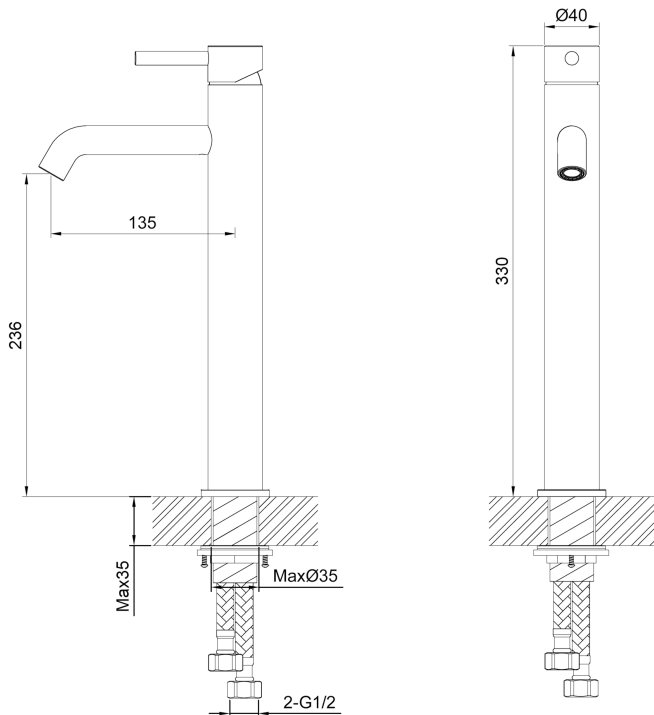


Storm High Rise Basin Mixer



PRODUCT CODE	VST22BB
COLOUR/FINISHES	Brushed Brass (PVD) Chrome Brushed Gunmetal (PVD) Brushed Copper (PVD) Brushed Stainless Brushed Brass (PVD)
PRESSURE TYPE	All Pressures
MINIMUM PRESSURE	35kPa
MAXIMUM PRESSURE	500kPa (As per NZ Building Code AS/NZ 3500.1)
WELS RATING - MAINS PRESSURE	5 Star (5L/min)
WELS RATING - LOW PRESSURE	4 Star (6.0L/min)
MAXIMUM TEMPERATURE	65°C
PLUMBING CONNECTION	15mm
SPOUT REACH	135mm
SPOUT HEIGHT	236mm



Specifications and dimensions correct at time of publication however are subject to change without notice.

Please refer to physical product prior to installation.

Installation instructions for this product are available from the product page on vodaplumbingware.co.nz