

Storm Wall Mounted Basin Mixer

PRODUCT CODE

VST21CH

COLOUR/FINISHES

Chrome

Brushed Gunmetal (PVD)
Brushed Copper (PVD)
Brushed Nickel (PVD)
Brushed Brass (PVD)

FEATURES

3 Piece In-Wall Componentry
304 Stainless Steel Spout
Copper Breech Pipe
DR Brass Mixer Body

PRESSURE TYPE

All Pressures

MINIMUM PRESSURE

35kPa

MAXIMUM PRESSURE

500kPa (As per NZ Building Code AS/NZ 3500.1)

WELS RATING - MAINS PRESSURE

5 Star (5.5L/min)

WELS RATING - LOW PRESSURE

3 Star (8.5L/min)

MAXIMUM TEMPERATURE

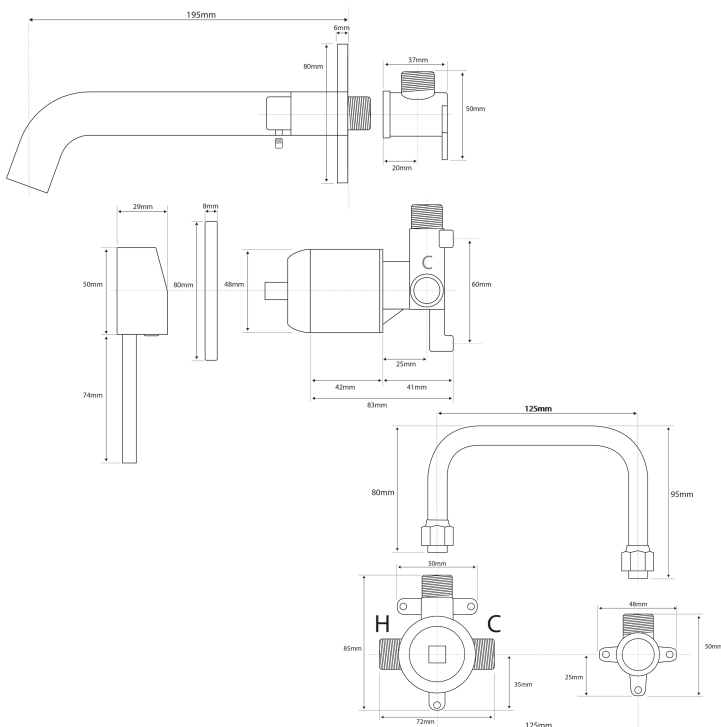
65°C

PLUMBING CONNECTION

15mm

SPOUT REACH

195mm



Specifications and dimensions correct at time of publication however are subject to change without notice.

Please refer to physical product prior to installation.

Installation instructions for this product are available from the product page on vodaplumbingware.co.nz