

Storm Basin Mixer



PRODUCT CODE

VST20BG

COLOUR/FINISHES

Brushed Gunmetal (PVD)

Chrome

Brushed Copper (PVD)

Brushed Stainless

Brushed Brass (PVD)

PRESSURE TYPE

All Pressures

MINIMUM PRESSURE

35kPa

MAXIMUM PRESSURE

500kPa (As per NZ Building Code AS/NZ 3500.1)

WELS RATING - MAINS
PRESSURE

5 Star (5L/min)

WELS RATING - LOW
PRESSURE

4 Star (6.0L/min)

MAXIMUM TEMPERATURE

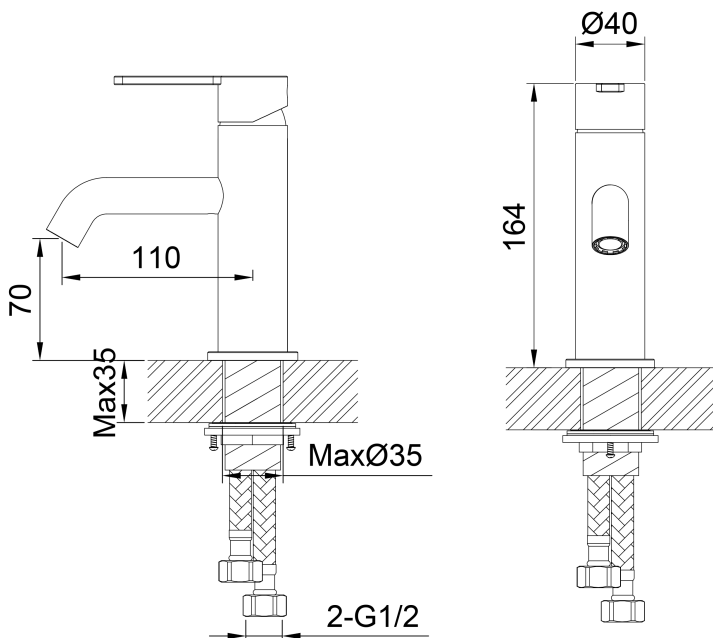
65°C

PLUMBING CONNECTION

15mm

SPOUT REACH

110mm



Specifications and dimensions correct at time of publication however are subject to change without notice.

Please refer to physical product prior to installation.

Installation instructions for this product are available from the product page on vodaplumbingware.co.nz