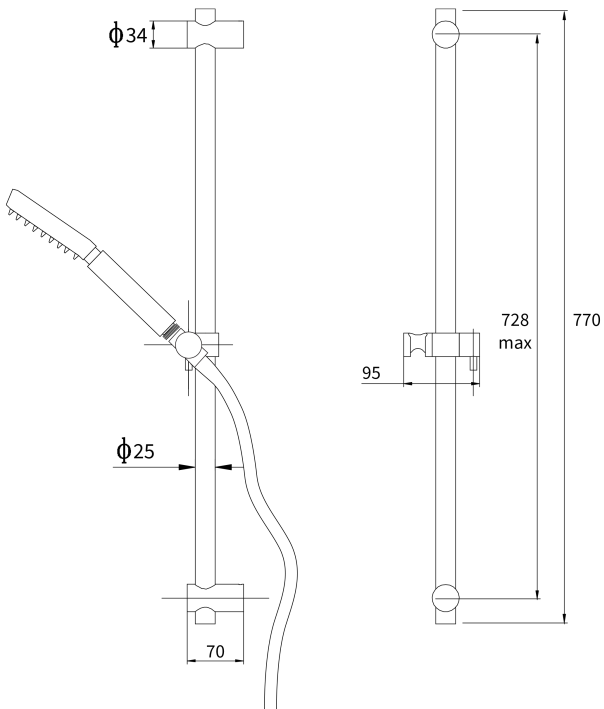


Stainless Single Function Slide Shower



PRODUCT CODE	VSS040
COLOUR/FINISHES	Brushed Stainless
FEATURES	Adjustable lower bracket – max 728mm
PRESSURE TYPE	All Pressures
MINIMUM PRESSURE	35kPa
MAXIMUM PRESSURE	500kPa (As per NZ Building Code AS/NZ 3500.1)
WELS RATING - MAINS PRESSURE	3 Star (8L/min)
WELS RATING - LOW PRESSURE	1 Star (14L/min)
MAXIMUM TEMPERATURE	65°C
PLUMBING CONNECTION	15mm



Specifications and dimensions correct at time of publication however are subject to change without notice.

Please refer to physical product prior to installation.

Installation instructions for this product are available from the product page on vodaplumbingware.co.nz