

Stainless Shower Mixer – Ultra



PRODUCT CODE

VSS032

COLOUR/FINISHES

Brushed Stainless

FEATURES

304 Stainless Steel Mixer Body

PRESSURE TYPE

Mains Pressure only

MINIMUM PRESSURE

150kPa

MAXIMUM PRESSURE

500kPa (As per NZ Building Code AS/NZ 3500.1)

CARTRIDGE/HEADWORKS

35mm European Ceramic Cartridge

MAXIMUM TEMPERATURE

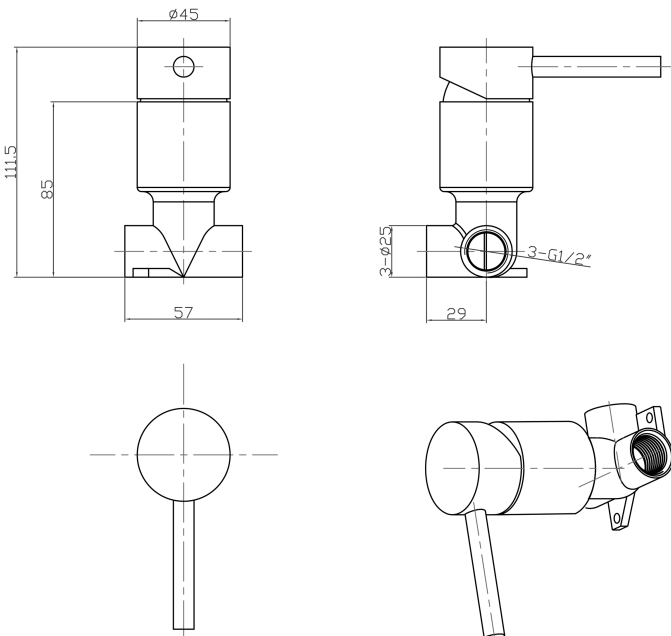
65°C

PLUMBING CONNECTION

15mm

FACEPLATE DIMENSIONS

75mm



Specifications and dimensions correct at time of publication however are subject to change without notice.

Please refer to physical product prior to installation.

Installation instructions for this product are available from the product page on vodaplumbingware.co.nz