

# Stainless Gooseneck Pull Out Sink Mixer - Cold Start



PRODUCT CODE

**VSS013**

COLOUR/FINISHES

Brushed Stainless

FEATURES

360 Degree Swivel  
Pull Out Spout  
Coldstart Technology

PRESSURE TYPE

Mains Pressure only

MINIMUM PRESSURE

150kPa

MAXIMUM PRESSURE

500kPa (As per NZ Building Code AS/NZ 3500.1)

WELS RATING - MAINS PRESSURE

4 Star (6L/min)

CARTRIDGE/HEADWORKS

European Ceramic Cartridge

MAXIMUM TEMPERATURE

65°C

PLUMBING CONNECTION

15mm

SPOUT REACH

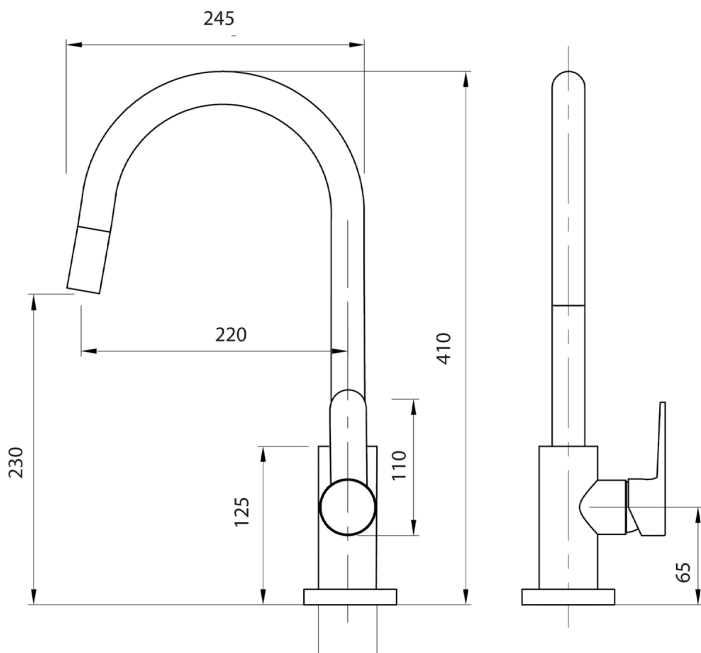
220mm

PULLOUT HOSE LENGTH

+300mm

BENCH HOLE SIZE

35mm



Specifications and dimensions correct at time of publication however are subject to change without notice.

Please refer to physical product prior to installation.

Installation instructions for this product are available from the product page on [vodaplumbingware.co.nz](http://vodaplumbingware.co.nz)