

# Olympia Basin Mixer



PRODUCT CODE

**VOP20CH**

COLOUR/FINISHES

**Chrome**

Brushed Gunmetal (PVD)

Brushed Copper (PVD)

Brushed Nickel (PVD)

PRESSURE TYPE

All Pressures

MINIMUM PRESSURE

35kPa

MAXIMUM PRESSURE

500kPa (As per NZ Building Code AS/NZ 3500.1)

WELS RATING - MAINS  
PRESSURE

4 Star (7.5L/min)

WELS RATING - LOW  
PRESSURE

4 Star (7L/min)

MAXIMUM TEMPERATURE

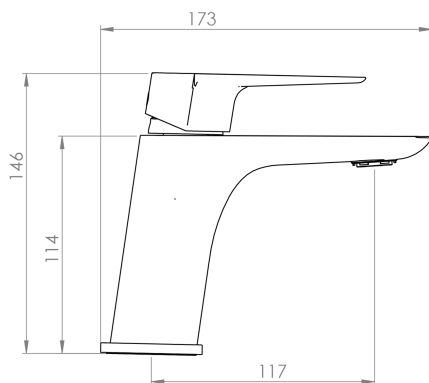
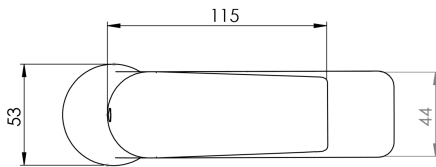
65°C

PLUMBING CONNECTION

15mm

SPOUT REACH

115mm



Specifications and dimensions correct at time of publication however are subject to change without notice.

Please refer to physical product prior to installation.

Installation instructions for this product are available from the product page on [vodaplumbingware.co.nz](http://vodaplumbingware.co.nz)