

Olympia Basin Mixer



PRODUCT CODE

VOP20BCU

COLOUR/FINISHES

Brushed Copper (PVD)
Chrome
Brushed Gunmetal (PVD)
Brushed Nickel (PVD)

PRESSURE TYPE

All Pressures

MINIMUM PRESSURE

35kPa

MAXIMUM PRESSURE

500kPa (As per NZ Building Code AS/NZ 3500.1)

WELS RATING - MAINS PRESSURE

4 Star (7.5L/min)

WELS RATING - LOW PRESSURE

4 Star (7L/min)

MAXIMUM TEMPERATURE

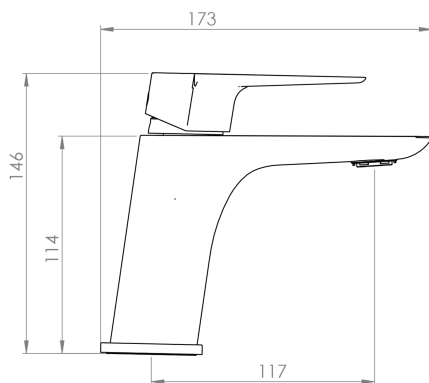
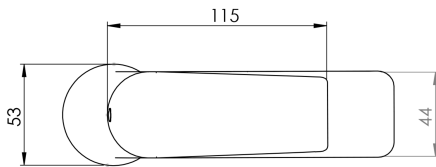
65°C

PLUMBING CONNECTION

15mm

SPOUT REACH

115mm



Specifications and dimensions correct at time of publication however are subject to change without notice.

Please refer to physical product prior to installation.

Installation instructions for this product are available from the product page on vodaplumbingware.co.nz