

308 Series Rain Shower Combo

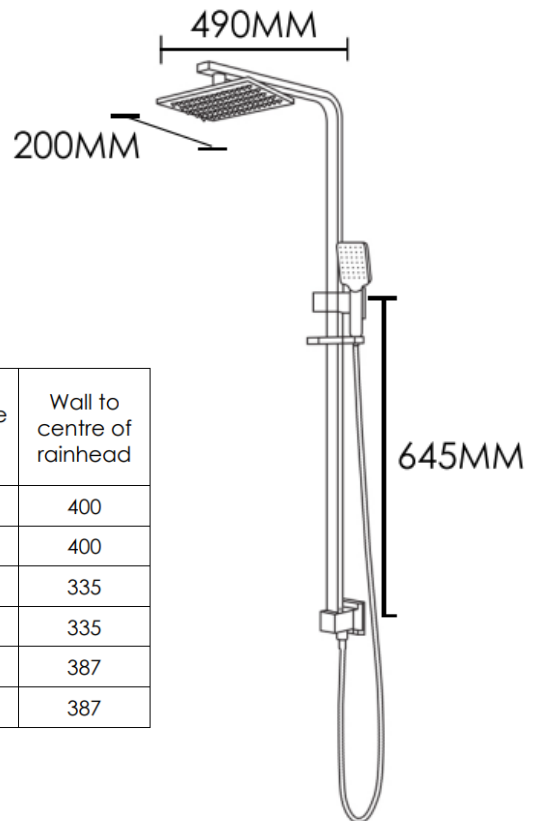
Product Code: T308RS, T308RSGM, T308RSN



Features

- Mains pressure only
- Available Colours: Chrome, Black, Gunmetal
- 9L/min – rain shower
- 8L/min – hand shower
- Watermark certified and WELS rated
- Up to 10 year warranty

Technical Details



Dual Shower Measurements

	Depth	Wall to back of rail	Distance between base plates	Rainhead width	Base plate width	Wall to centre of rainhead
T209RS	500	41	645	200	64	400
T209RSN	500	41	645	200	64	400
T209RSBN	434	25.5	540	200	35	335
T209RSGM	434	25.5	540	200	35	335
T308RS	490	39	645	200	64	387
T308RSN	490	39	645	200	64	387

*All measurements are in millimetres

Note: all specifications and dimensions are correct at time of publication however are subject to change without notice. Please refer to physical product prior to installation.