

101 Series Shower Mixer

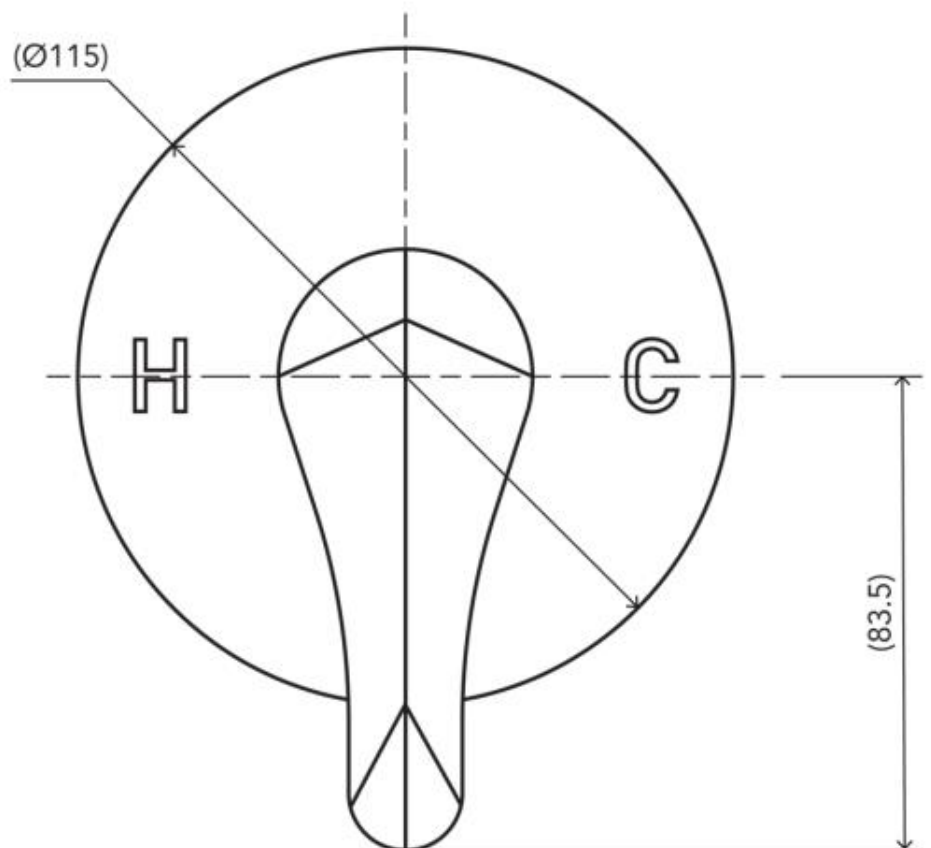
Product Code: T101SM

Features



- Mains pressure only
- Available in Chrome
- Low lead brass (potable water products)
- Quality ceramic cartridges
- High quality electroplate finish
- Up to 10 workmanship year warranty
- Watermark certification/ WELS rating as applicable

Technical Details
Diameter 115mm



Note: all specifications and dimensions are correct at time of publication however are subject to change without notice. Please refer to physical product prior to installation.