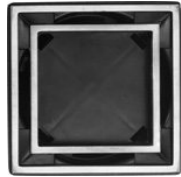


# STS100/STS101 S-TRAP GULLY WASTE SPEC SHEET

crest  
showers



STS100



STS101



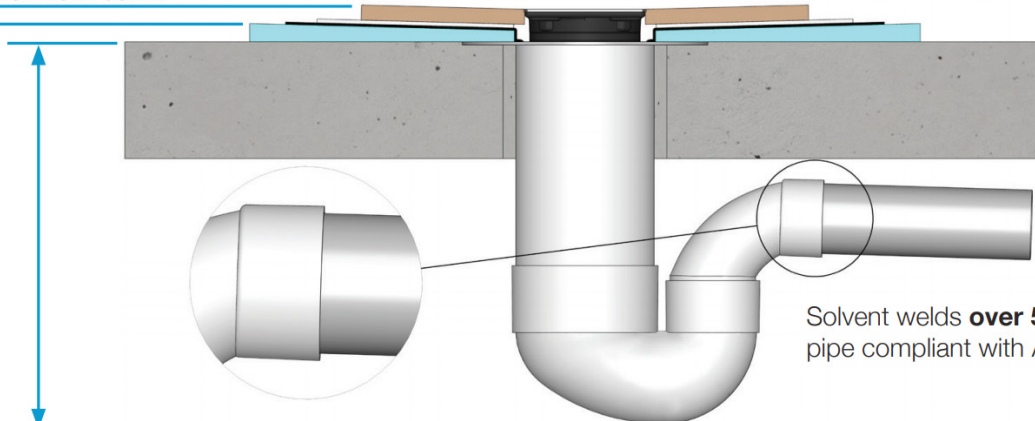
**FLOW RATE - 40-60 l/min**  
**WATER SEAL - 75mm**  
**INLET SIZE - 100mm**  
**OUTLET SIZE - 50mm**

## S-TRAP GULLY WASTE

CODE	STS100	STS101
LID	STAINLESS	TILE INSERT

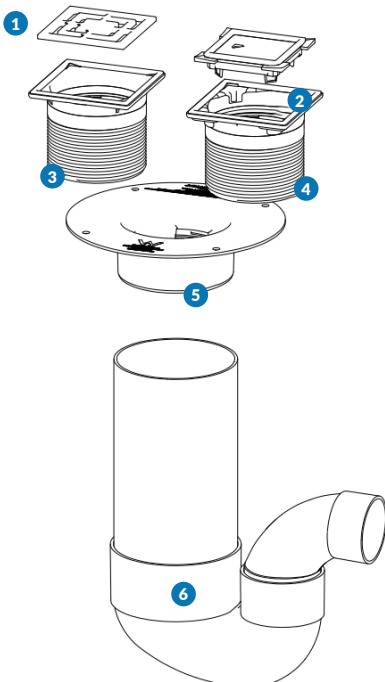
Developed Tile Height  
Minimum: 10mm  
Maximum: 50mm

Hole Saw Floor: 115mm  
Rebate: 200mm x 3mm



Solvent welds **over 50mm** DWV  
pipe compliant with AS/NZS1260

Minimum Height: 200mm + Flooring



## STS100/STS101 EASY CLEAN WASTE PARTS LIST

1. TF Solid Lid SS
2. TI Inner Tray Lid Assembly AF
3. SL Outer Tiling Flange
4. TI Outer Tiling Flange
5. TF 100 Threaded
6. FWG 100x50/Riser