

Eclipse Basin Mixer



PRODUCT CODE

VECL020

COLOUR/FINISHES

Chrome

Brushed Gunmetal (PVD)

Matte Black

Mirrored Black (PVD)

PRESSURE TYPE

All Pressures

MINIMUM PRESSURE

35kPa

MAXIMUM PRESSURE

500kPa (As per NZ Building Code AS/NZ 3500.1)

WELS RATING - MAINS
PRESSURE

4 Star (6.5L/min)

WELS RATING - LOW
PRESSURE

3 Star (8.5L/min)

CERTIFICATION

WaterMark Certified

MAXIMUM TEMPERATURE

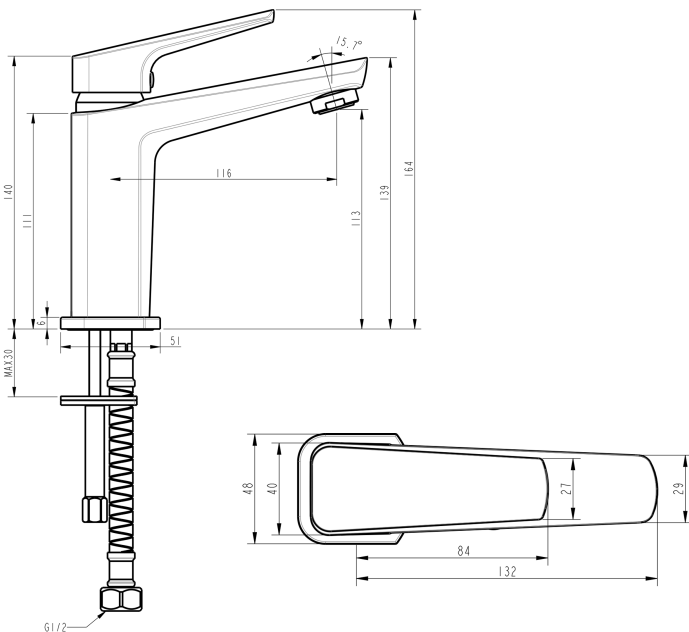
65°C

PLUMBING CONNECTION

15mm

SPOUT REACH

115mm



Specifications and dimensions correct at time of publication however are subject to change without notice.

Please refer to physical product prior to installation.

Installation instructions for this product are available from the product page on vodaplumbingware.co.nz