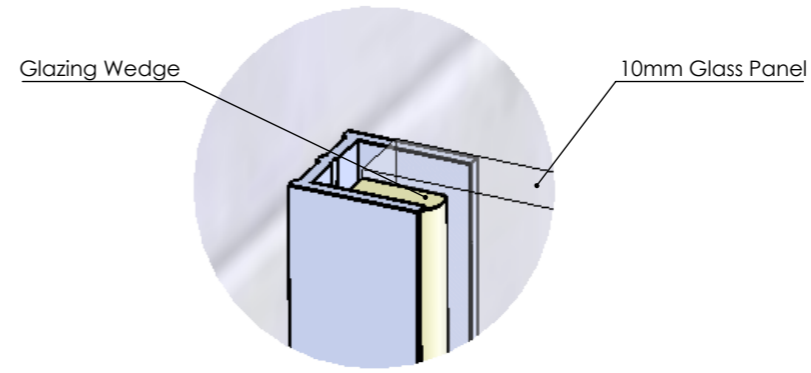


Glass Panel Silicone Detail



Glass To Wall Tolerance
DETAIL A

I _____ confirm that all dimensions are correct.

Signature: _____



SH4412-11
DIMENSION SHEET
DIMENSIONS: 1100