

# SPECIFICATION SHEET

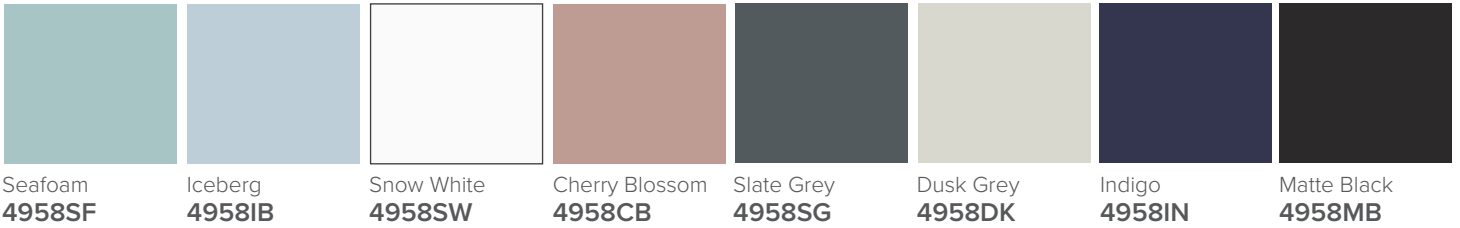
## Porscha 1200 4-Drawer Double Basin Wall Hung Vanity



### Features

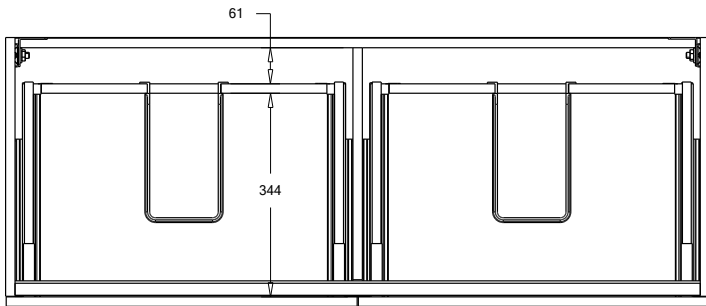
- 4-Drawer Wall Hung Vanity - *Colour options below*
- StoneCast 20mm Via Double Basin [Standard] - *Upgrade options available*
- Full Extension Soft Close Drawers with Extrusions - *Extrusion upgrade options available*
- Designer Drawer Fronts - *Four Drawer Front options*
- Dimensions: H670 x W1200 x D465

### Cabinet Options

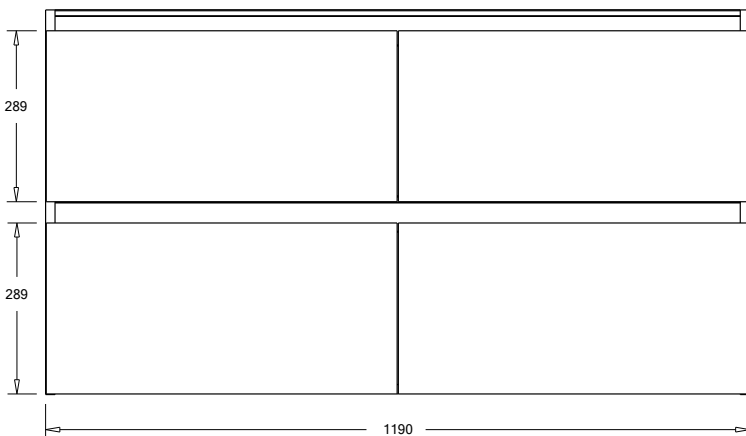
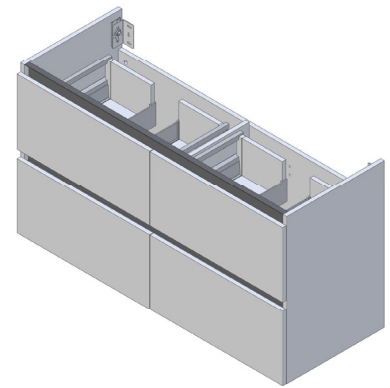


### Technical Details

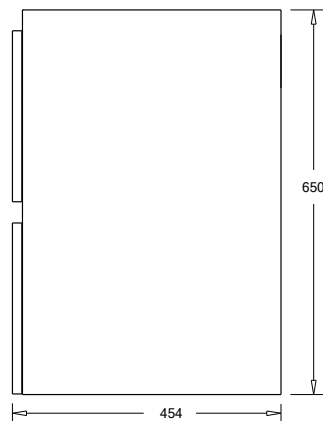
Note: All measurements shown are in millimetres. Sizes are nominal.



TOP VIEW



FRONT VIEW

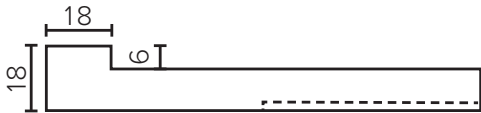
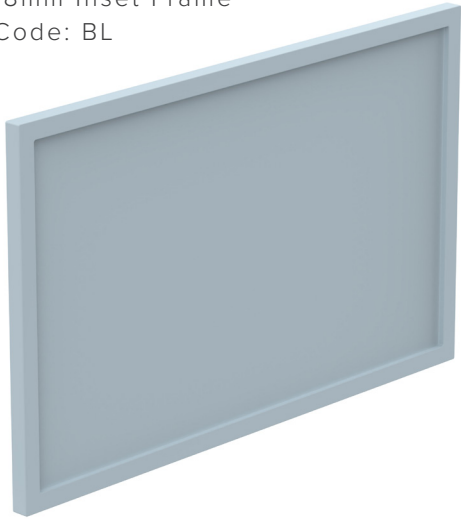


SIDE VIEW

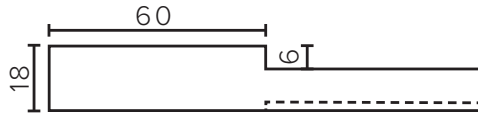
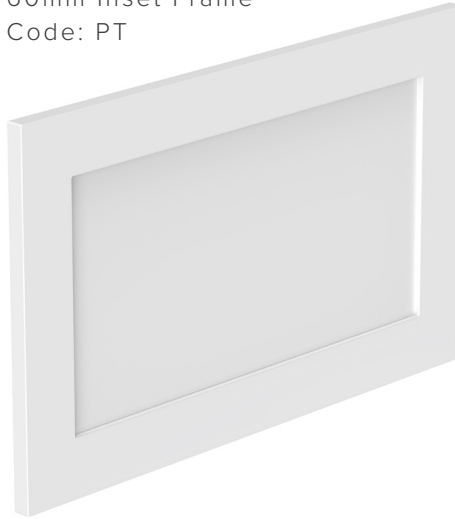
# SPECIFICATION SHEET

## Porscha Designer Drawer Fronts

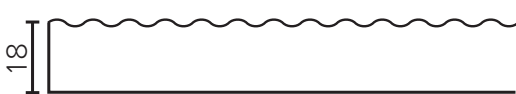
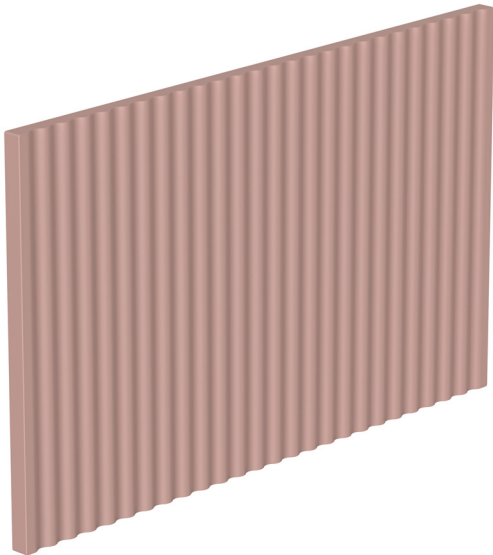
**BARNSLEY**  
18mm Inset Frame  
Code: BL



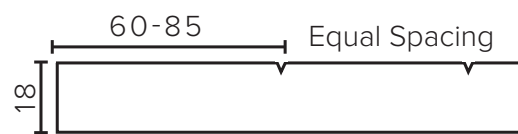
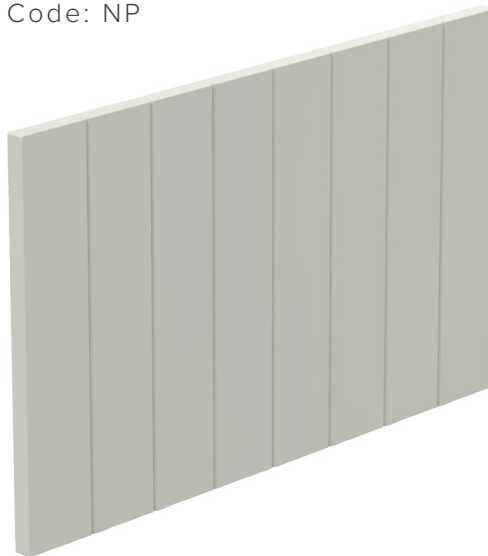
**PRESTON**  
60mm Inset Frame  
Code: PT



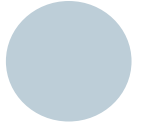
**TURNBERRY**  
Ripple Design Panel  
Code: TB



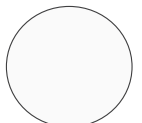
**NEWPORT**  
V-Groove Panels  
Code: NP



Seafoam



Iceberg



Snow White



Cherry Blossom



Slate Grey



Dusk Grey



Indigo



Matte Black

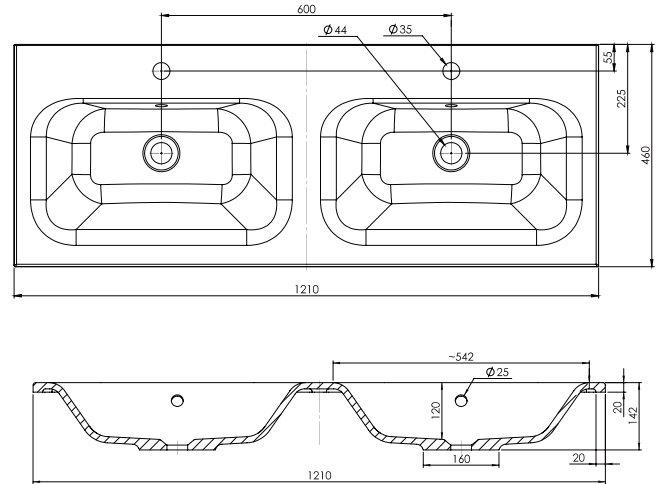
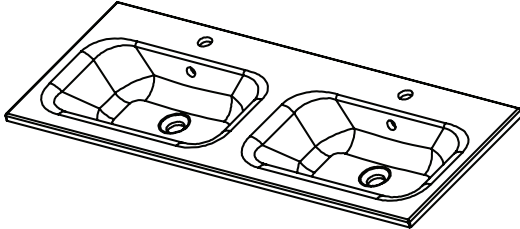
# SPECIFICATION SHEET

## 1200mm Double Basin Options

### Via

StoneCast with overflow  
 Gloss White - VIA  
 Matte White - VIAMW

W1210 x D460 x H20



### Clasico

Vitreous China with overflow  
 Gloss White - VC

W1210 x D465 x H20

