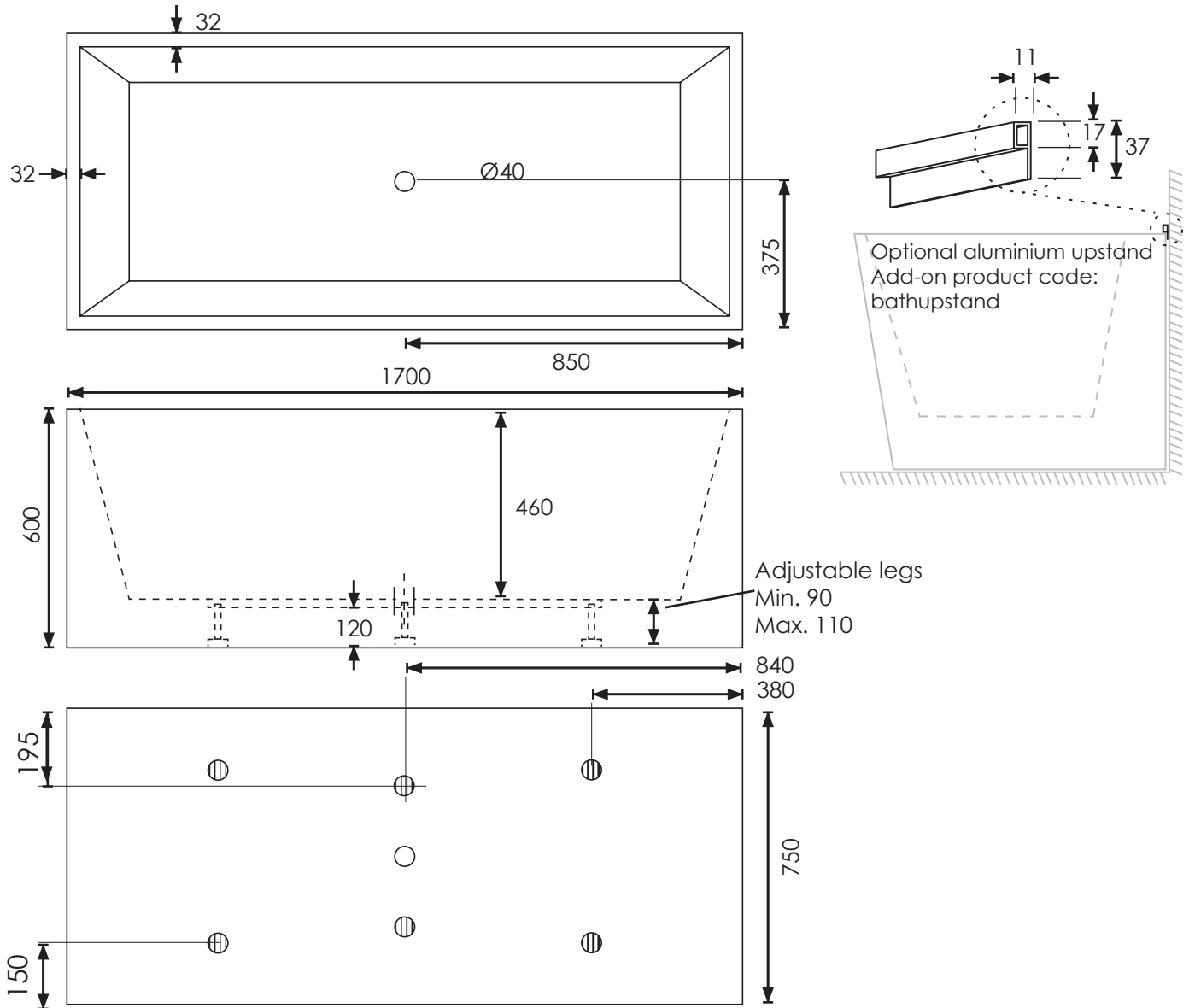
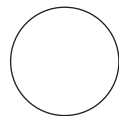


SPECIFICATION SHEET

**Park Ave 1700 Freestanding Bath**



Product: Park Ave 1700 Freestanding Bath  
 Size: L1700 X W750 X D600  
 Capacity: 351 Litres  
 Weight: 50KG  
 Requires: 40mm waste (Not included)  
 Colour / Code: PARKAVE17



Gloss White

\*Disclaimer: Measurements are nominal.

@ 2016 Newtech. All rights reserved.