

# SPECIFICATION SHEET

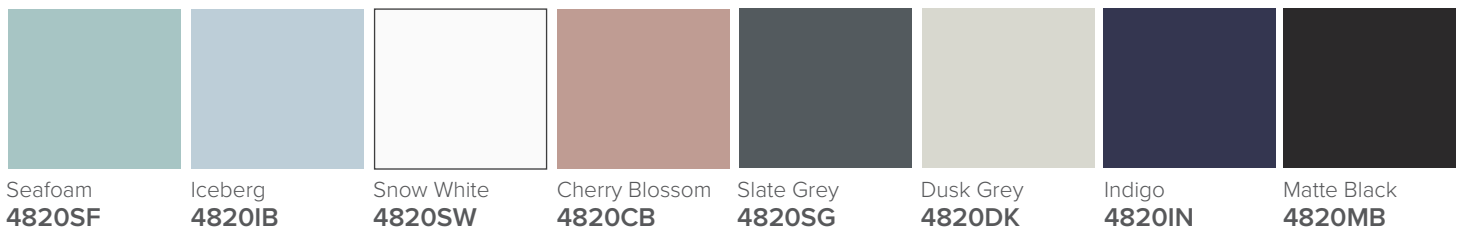
## Oxley 900 1-Drawer Wall Hung Vanity



### Features

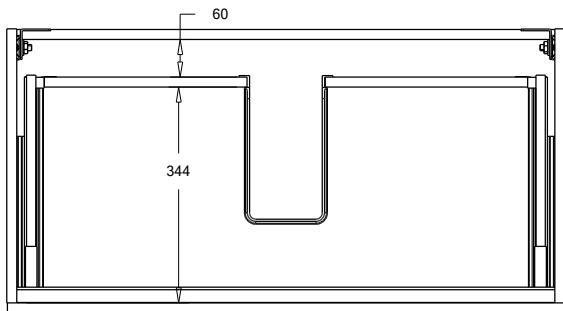
- 1-Drawer Wall Hung Vanity - *Colour options below*
- StoneCast 20mm Via Basin [Standard] - *Upgrade options available*
- Full Extension Soft Close Drawer with Extrusion - *Extrusion upgrade options available*
- Dimensions: H420 x W900 x D465

### Cabinet Options

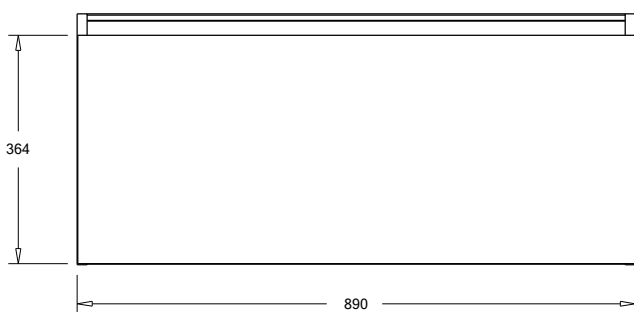
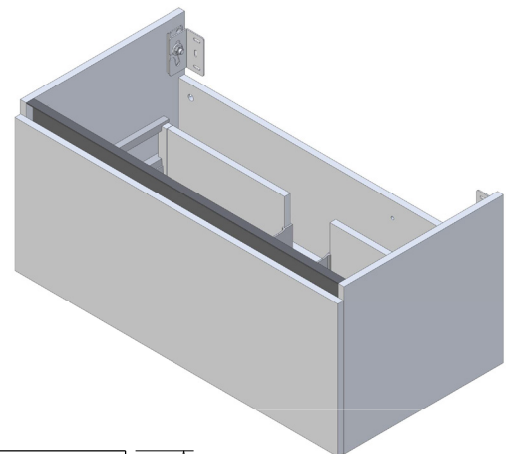


### Technical Details

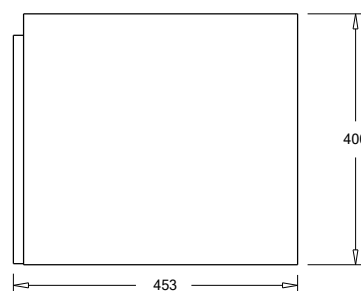
Note: All measurements shown are in millimetres. Sizes are nominal.



TOP VIEW



FRONT VIEW



SIDE VIEW

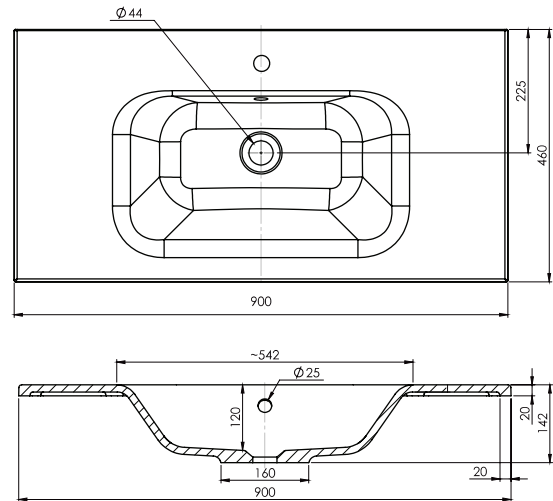
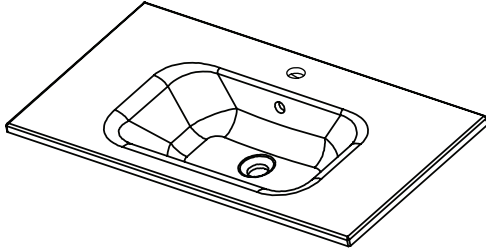
# SPECIFICATION SHEET

## 900mm Basin Options

### Via

StoneCast with overflow  
Gloss White - VIA  
Matte White - VIAMW

W900 x D460 x H20



### Clasico

Vitreous China with over low  
Gloss White - VC

W910 x D465 x H20

