

# SPECIFICATION SHEET

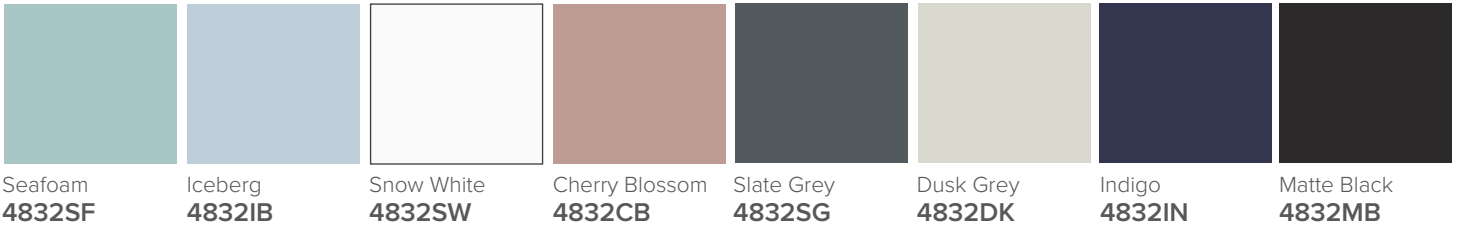
## Oxley 1200 2-Drawer Double Basin Wall Hung Vanity



### Features

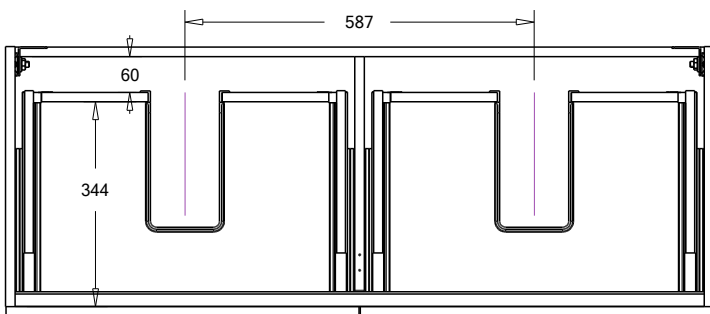
- 2-Drawer Wall Hung Vanity - *Colour options below*
- StoneCast 20mm Via Double Basin [Standard] - *Upgrade options available*
- Full Extension Soft Close Drawers with Extrusions - *Extrusion upgrade options available*
- Dimensions: H420 x W1200 x D465

### Cabinet Options

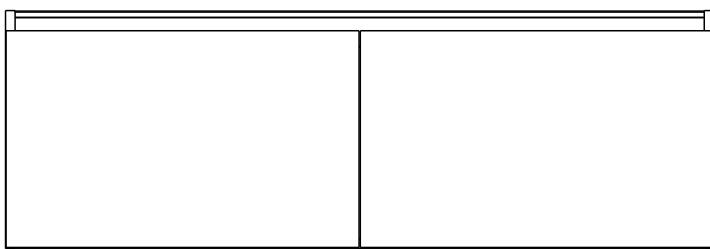


### Technical Details

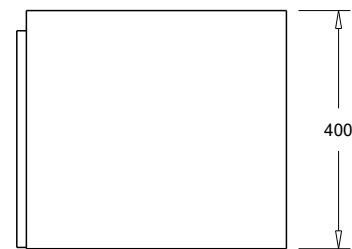
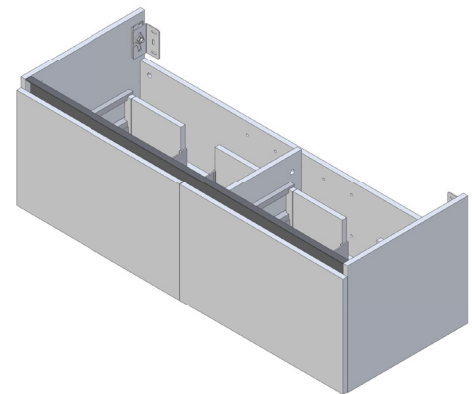
Note: All measurements shown are in millimetres. Sizes are nominal.



TOP VIEW



FRONT VIEW



SIDE VIEW

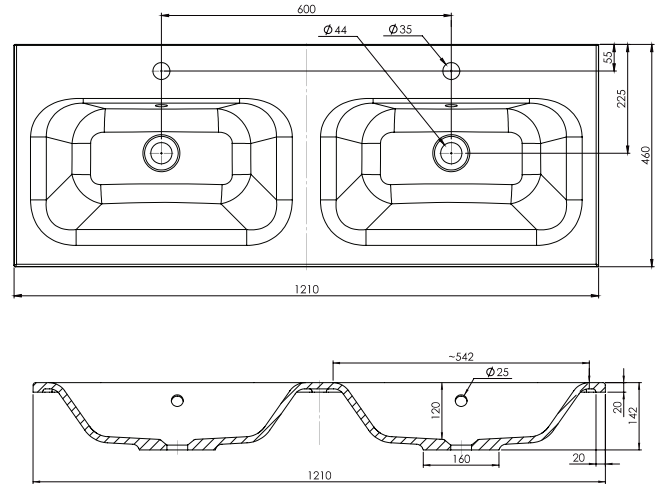
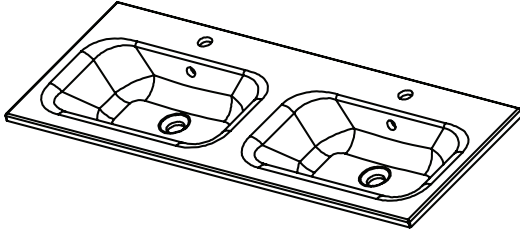
# SPECIFICATION SHEET

## 1200mm Double Basin Options

### Via

StoneCast with overflow  
 Gloss White - VIA  
 Matte White - VIAMW

W1210 x D460 x H20



### Clasico

Vitreous China with overflow  
 Gloss White - VC

W1210 x D465 x H20

