

SPECIFICATION SHEET

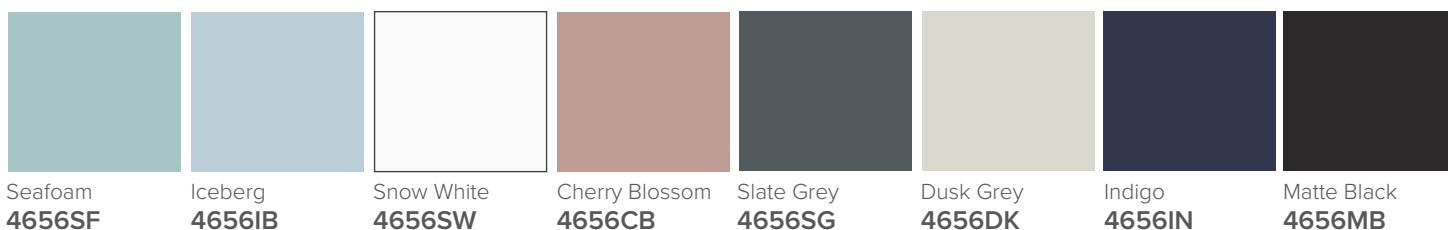
Harrow 500 1-Door Wall Hung Vanity



Features

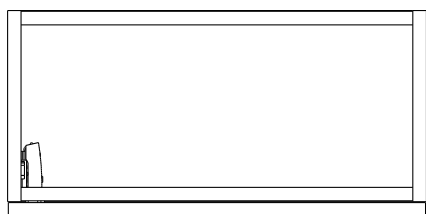
- 1-Door Wall Hung Vanity
- 80mm StoneCast Interchangeable Basin
- Soft Close Door with Handle
- Left Hinge Only
- Dimensions
Cabinet: H400 x W495 x D243
Basin: H80 x W500 x D250

Cabinet Options

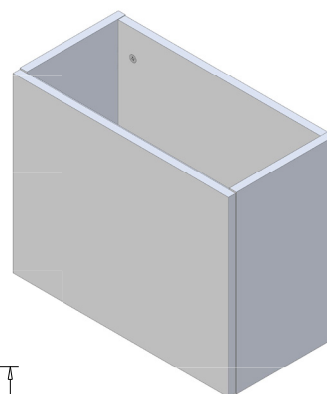


Technical Details

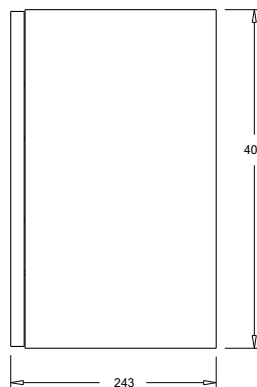
Note: All measurements shown are in millimetres. Sizes are nominal.



TOP VIEW



FRONT VIEW



SIDE VIEW

SPECIFICATION SHEET

Stonecast 500 Interchangeable Basin

StoneCast

PE500

W500(±5) x D250

