

L Grab Rail

Product Code: GRKL750, GRPL750

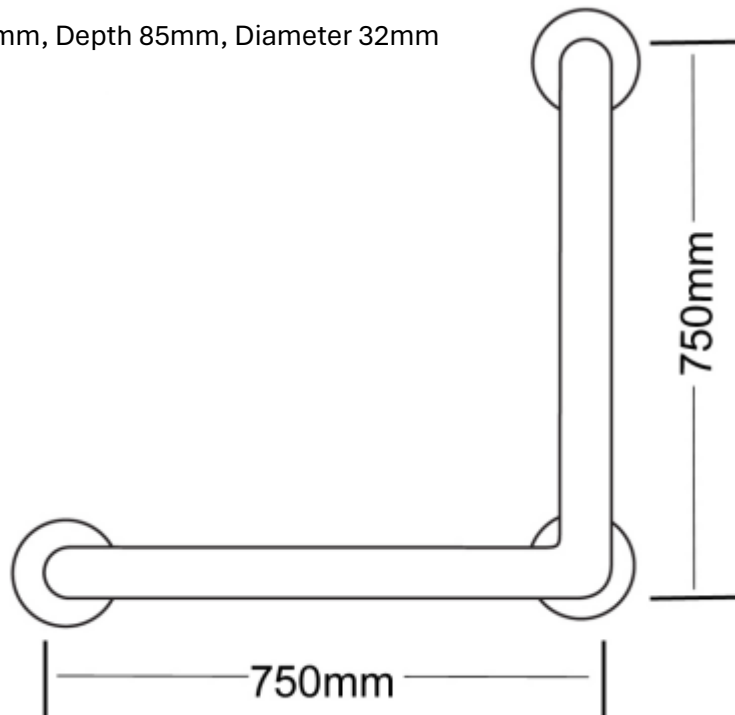


Features

- High quality polypropylene
- NZ Care Standard compliant
- Two non-slip options – knurled or peened

Technical Details

Width 750mm, Height 750mm, Depth 85mm, Diameter 32mm



Note: all specifications and dimensions are correct at time of publication however are subject to change without notice. Please refer to physical product prior to installation.