

# SPECIFICATION SHEET

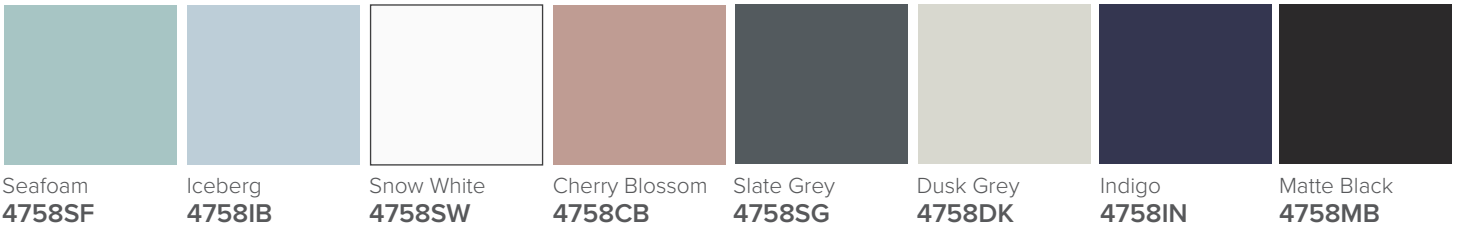
## Francisco 900 2-Drawer Wall Hung Vanity



### Features

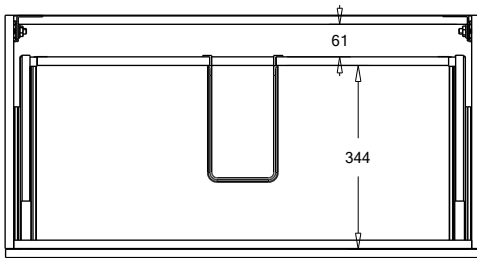
- 2-Drawer Wall Hung Vanity - *Colour options below*
- StoneCast 20mm Via Basin [Standard]  
- *Upgrade options available*
- Full Extension Soft Close Drawers with Handles  
- *Handle upgrade options available*
- Designer Drawer Fronts - *Four Drawer Front options*
- Dimensions: H670 x W900 x D465

### Cabinet Options

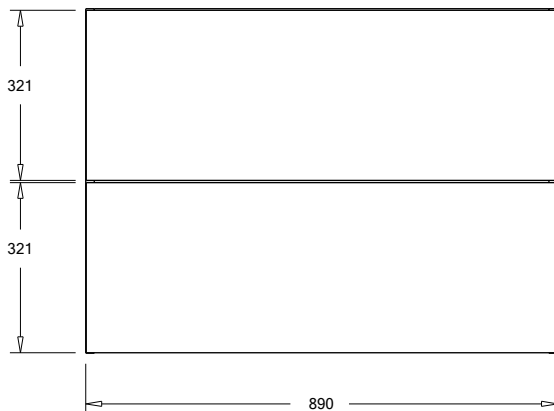


### Technical Details

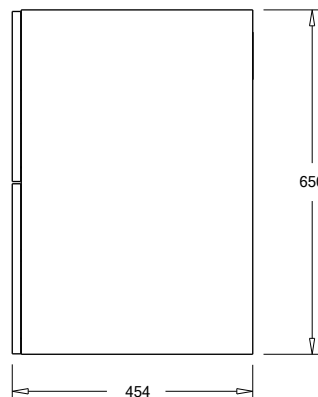
Note: All measurements shown are in millimetres. Sizes are nominal.



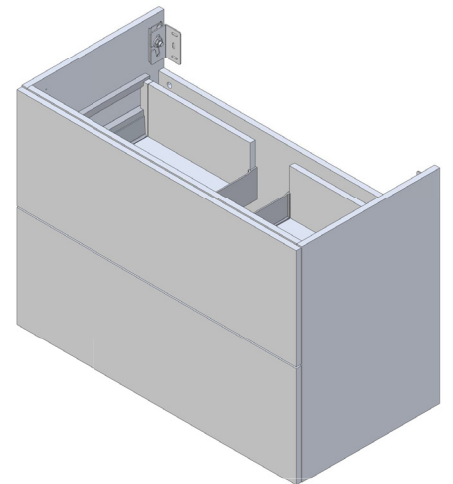
TOP VIEW



FRONT VIEW



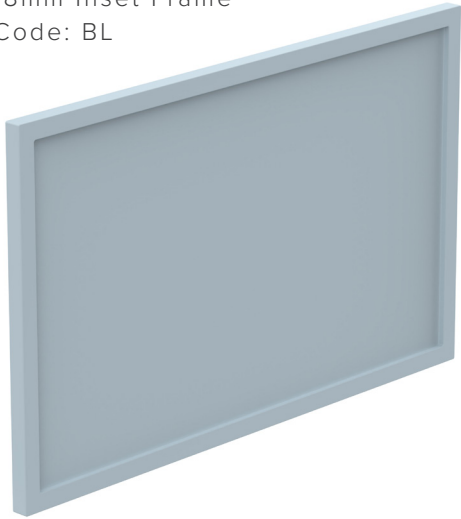
SIDE VIEW



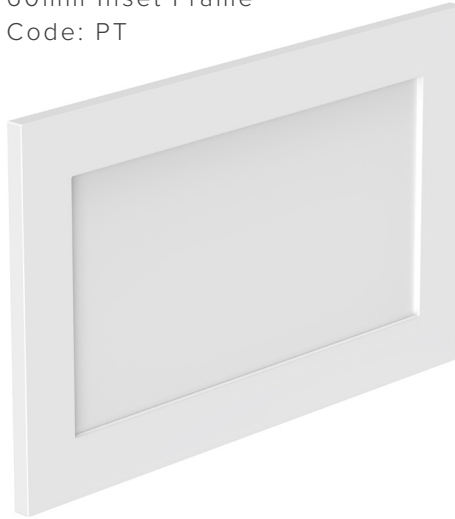
# SPECIFICATION SHEET

## Francisco Designer Drawer Fronts

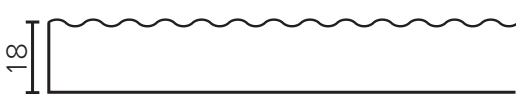
BARNSELEY  
18mm Inset Frame  
Code: BL



PRESTON  
60mm Inset Frame  
Code: PT



TURNBERRY  
Ripple Design Panel  
Code: TB



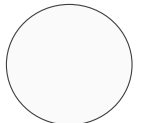
NEWPORT  
V-Groove Panels  
Code: NP



Seafoam



Iceberg



Snow White



Cherry Blossom



Slate Grey



Dusk Grey



Indigo



Matte Black

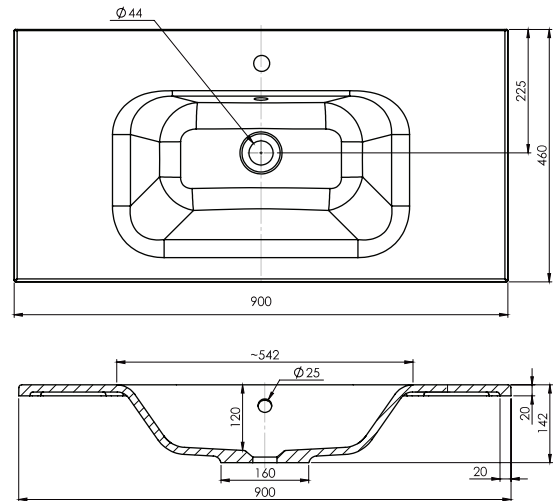
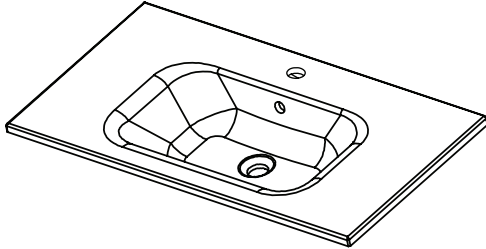
# SPECIFICATION SHEET

## 900mm Basin Options

### Via

StoneCast with overflow  
Gloss White - VIA  
Matte White - VIAMW

W900 x D460 x H20



### Clasico

Vitreous China with over low  
Gloss White - VC

W910 x D465 x H20

