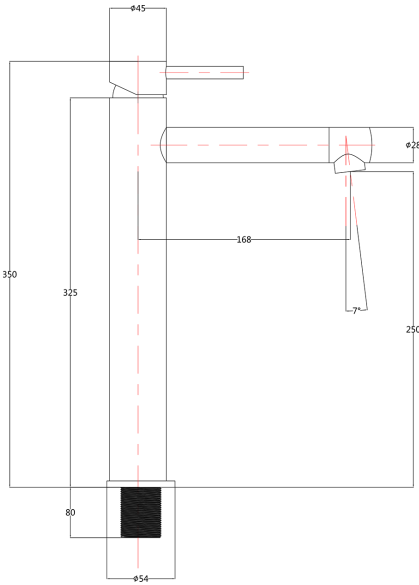


REEF Basin Mixer - High Rise



PRODUCT CODE

REF22BK

COLOUR/FINISHES

Brushed Brass (PVD)
Matte Black
Chrome
Brushed Stainless Steel

FEATURES

Lead-free 304 Stainless Steel

PRESSURE TYPE

All Pressures

MIN. PRESSURE

35kPa

MAX. PRESSURE

500kPa (As per NZ Building Code AS/NZ 3500.1)

MAX. TEMPERATURE

65°C

WELS RATING

Low/Unequal 4 Star; 7.5L/min
Mains 4 Star; 7L/min

PLUMBING CONNECTION

15mm

SPOUT HEIGHT

250mm

Specifications and dimensions are subject to change without notice.

Installation instructions are available from the product page on www.foreno.co.nz

BUILDING CODE CLAUSES RELEVANT TO THIS PRODUCT:
Clause G12 Water Supplies, specifically G12.3.5, G12.3.6, and G12.3.7. www.foreno.co.nz/building-code-clauses/

This product is not subject to a warning or ban under section 26 of the Building Act 2004.