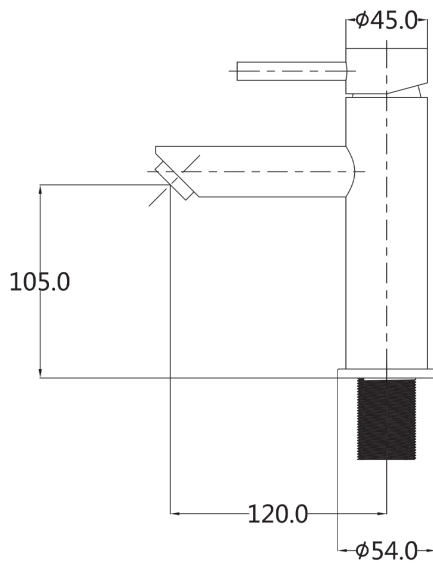


PURITY Emotion Basin Mixer



PRODUCT CODE

PUR20SS

FEATURES

Fixed Spout

COLOUR/FINISHES

Brushed Stainless Steel

PRESSURE TYPE

Mains Pressure only

MIN. PRESSURE

150kPa

MAX. PRESSURE

500kPa (As per NZ Building Code AS/NZ 3500.1)

WELS RATING

Mains 4 Star; 7.5L/min

MAX. TEMPERATURE

65°C

PLUMBING CONNECTION

15mm

SPOUT HEIGHT

105mm

Specifications and dimensions are subject to change without notice.

Installation instructions are available from the product page on www.foreno.co.nz

BUILDING CODE CLAUSES RELEVANT TO THIS PRODUCT:
Clause G12 Water Supplies, specifically G12.3.5, G12.3.6, and G12.3.7. www.foreno.co.nz/building-code-clauses/

This product is not subject to a warning or ban under section 26 of the Building Act 2004.