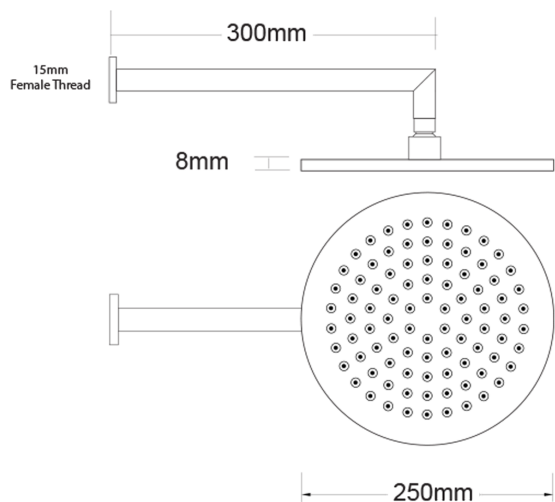


Wall Mounted Shower Drencher (Round)



PRODUCT CODE	NRT81RWBG
COLOUR/FINISHES	Brushed Nickel (PVD) Brushed Brass (PVD) Brushed Gunmetal (PVD) Matte Black Chrome
PRESSURE TYPE	All Pressures
MIN. PRESSURE	35kPa
MAX. PRESSURE	500kPa (As per NZ Building Code AS/NZ 3500.1)
MAX. TEMPERATURE	65°C
PLUMBING CONNECTION	15mm
WELS RATING	Mains 3 Star; 6.5L/min Low/Unequal 2 Star; 10L/min
SHOWER HEAD SIZE	250 x 250mm
ARM LENGTH	300mm

Specifications and dimensions are subject to change without notice.

Installation instructions are available from the product page on www.foreno.co.nz

BUILDING CODE CLAUSES RELEVANT TO THIS PRODUCT:
Clause G12 Water Supplies, specifically G12.3.5, G12.3.6, and G12.3.7. www.foreno.co.nz/building-code-clauses/

This product is not subject to a warning or ban under section 26 of the Building Act 2004.