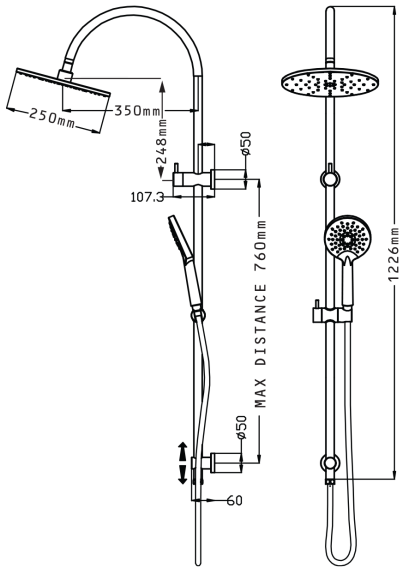


NORTH Double Head Shower



PRODUCT CODE

NRT73RBB

FEATURES

Built In Rotary Diverter

COLOUR/FINISHES

Brushed Brass (PVD)
Brushed Gunmetal (PVD)

PRESSURE TYPE

Mains Pressure only

MIN. PRESSURE

150kPa

MAX. PRESSURE

500kPa (As per NZ Building Code AS/NZ 3500.1)

WELS RATING

Mains 3 Star; 8.5L/min

MAX. TEMPERATURE

65°C

PLUMBING CONNECTION

Top Bracket Inlet
15mm

WALL FIXINGS

Adjustable lower fixing
max 760mm centres

SHOWER HEAD SIZE

250mm Diameter

HANDPIECE

3 Function Handpiece

COATING

Physical Vapour Deposition (PVD)

Specifications and dimensions are subject to change without notice.

Installation instructions are available from the product page on www.foreno.co.nz

BUILDING CODE CLAUSES RELEVANT TO THIS PRODUCT:
Clause G12 Water Supplies, specifically G12.3.5, G12.3.6, and G12.3.7. www.foreno.co.nz/building-code-clauses/

This product is not subject to a warning or ban under section 26 of the Building Act 2004.