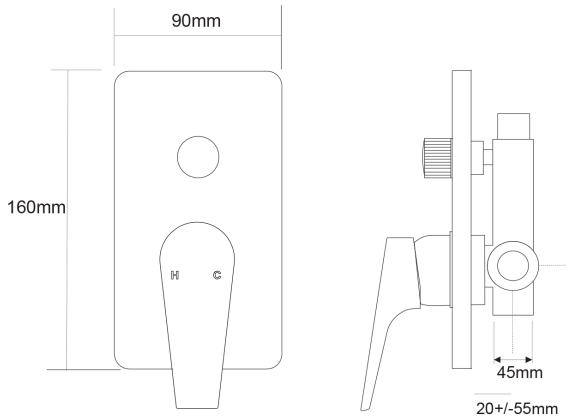


NORTH Diverter Shower Mixer



PRODUCT CODE	NRT35BK
COLOUR/FINISHES	Brushed Nickel (PVD) Brushed Brass (PVD) Brushed Gunmetal (PVD) Matte Black Chrome
PRESSURE TYPE	Mains Pressure only
MIN. PRESSURE	150kPa
MAX. PRESSURE	500kPa (As per NZ Building Code AS/NZ 3500.1)
MAX. TEMPERATURE	65°C
PLUMBING CONNECTION	15mm
FACEPLATE (W X H)	90 x 160 mm

Specifications and dimensions are subject to change without notice.

Installation instructions are available from the product page on www.foreno.co.nz

BUILDING CODE CLAUSES RELEVANT TO THIS PRODUCT:
Clause G12 Water Supplies, specifically G12.3.5, G12.3.6, and G12.3.7. www.foreno.co.nz/building-code-clauses/

This product is not subject to a warning or ban under section 26 of the Building Act 2004.