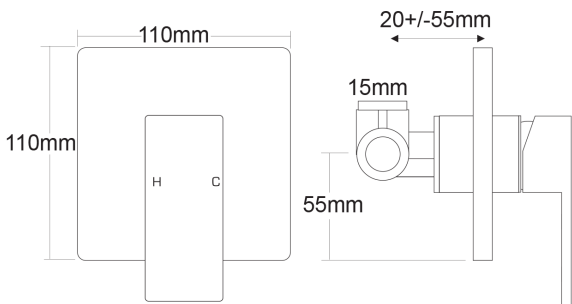


MURO Shower Mixer



PRODUCT CODE

MUR030

COLOUR/FINISHES

Chrome

PRESSURE TYPE

All Pressures

MAX. PRESSURE

500kPa (As per NZ Building Code AS/NZ 3500.1)

MAX. TEMPERATURE

65°C

PLUMBING CONNECTION

15mm

CERTIFICATION

Watermark

FACEPLATE (W X H)

110 x 110 mm

REPLACEMENT PART/S

Shower Mixer Lever Handle – FORPT210

Specifications and dimensions are subject to change without notice.

Installation instructions are available from the product page on www.foreno.co.nz

BUILDING CODE CLAUSES RELEVANT TO THIS PRODUCT:
Clause G12 Water Supplies, specifically G12.3.5, G12.3.6, and G12.3.7. www.foreno.co.nz/building-code-clauses/

This product is not subject to a warning or ban under section 26 of the Building Act 2004.