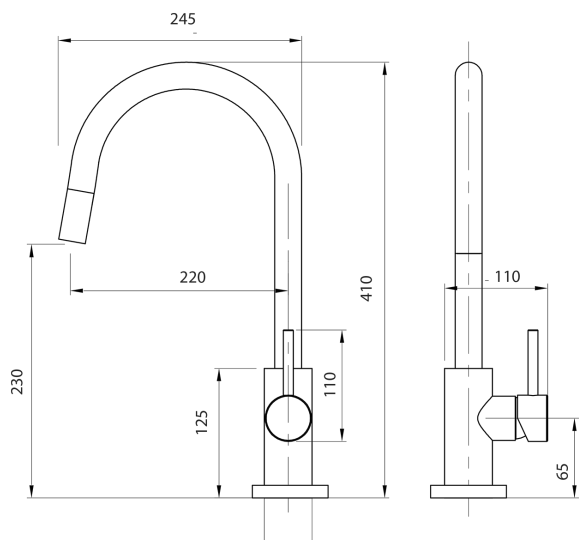


PURITY Minimal Gooseneck Pulldown Sink Mixer - Cold



PRODUCT CODE

FSSS2

FEATURES

Cold Start Technology

COLOUR/FINISHES

Brushed Stainless Steel

PRESSURE TYPE

Mains Pressure only

MIN. PRESSURE

150kPa

MAX. PRESSURE

500kPa (As per NZ Building Code AS/NZ 3500.1)

WELS RATING

Mains 4 Star; 6L/min

MAX. TEMPERATURE

65°C

PLUMBING CONNECTION

15mm

BENCH HOLE SIZE

35mm

REPLACEMENT PART/S

Sink Mixer Handle Stainless Steel – FORPT201
FORPT231 – 35mm ColdStart Cartridge

Specifications and dimensions are subject to change without notice.

Installation instructions are available from the product page on www.foreno.co.nz

BUILDING CODE CLAUSES RELEVANT TO THIS PRODUCT:
Clause G12 Water Supplies, specifically G12.3.5, G12.3.6, and G12.3.7. www.foreno.co.nz/building-code-clauses/

This product is not subject to a warning or ban under section 26 of the Building Act 2004.