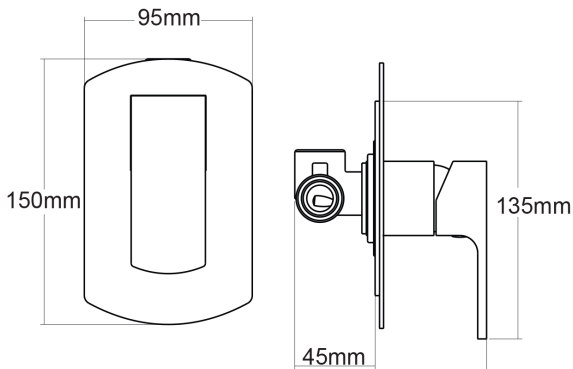


# FUSION Shower Mixer



PRODUCT CODE

**FSN3**

COLOUR/FINISHES

Chrome

PRESSURE TYPE

Mains Pressure only

MIN. PRESSURE

150kPa

MAX. PRESSURE

500kPa (As per NZ Building Code AS/NZ 3500.1)

MAX. TEMPERATURE

65°C

PLUMBING CONNECTION

15mm

FACEPLATE (W X H)

95 x 150 mm

Specifications and dimensions are subject to change without notice.

Installation instructions are available from the product page on [www.foreno.co.nz](http://www.foreno.co.nz)

BUILDING CODE CLAUSES RELEVANT TO THIS PRODUCT:  
Clause G12 Water Supplies, specifically G12.3.5, G12.3.6, and G12.3.7. [www.foreno.co.nz/building-code-clauses/](http://www.foreno.co.nz/building-code-clauses/)

This product is not subject to a warning or ban under section 26 of the Building Act 2004.