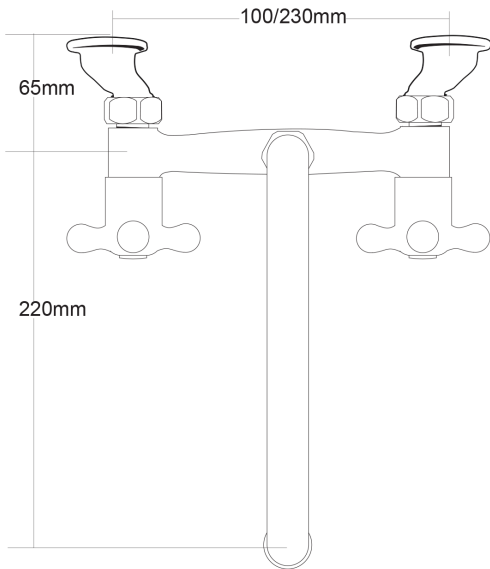


FORENO Sink Faucet



PRODUCT CODE

FSF4

COLOUR/FINISHES

Chrome

PRESSURE TYPE

All Pressures

MIN. PRESSURE

17kPa

MAX. PRESSURE

500kPa (As per NZ Building Code AS/NZ 3500.1)

WELS RATING

Low/Unequal 4 Star; 7L/min
Mains 3 Star; 8.5L/min

MAX. TEMPERATURE

65°C

HEADWORKS

Half Turn
Standard

PLUMBING CONNECTION

15mm

CERTIFICATION

Watermark

REPLACEMENT PART/S

Cross Top Handle – FORPT64
Headworks Standard – FORPT65
Headworks Half Turn Ceramic – FORPT43
Cast Spout – FORPT198
15mm Offset – FORPT45

WALL FIXINGS

Adjustable Offsets – 100 to 230mm

Specifications and dimensions are subject to change without notice.

Installation instructions are available from the product page on www.foreno.co.nz

BUILDING CODE CLAUSES RELEVANT TO THIS PRODUCT:
Clause G12 Water Supplies, specifically G12.3.5, G12.3.6, and G12.3.7. www.foreno.co.nz/building-code-clauses/

This product is not subject to a warning or ban under section 26 of the Building Act 2004.